

# CENTRIFUGAL PUMPS

## CLOSE-COUPLED D-SERIES

**FPS**

### FEATURES

- Heavy-duty cast iron body for increased durability
- Stainless steel impellers (DA1A and DA1B)
- Bronze impellers (DB1 through DB2/DC2)
- Cast iron impellers (DB3 and DC4)
- 56C frame motors with shaft coupling design for easy removal (1/2 - 2 hp models)
- JM frame motors with shaft sleeve/O-ring design for added protection against shaft damage (5 - 50 hp models)
- Option of JM frame or 56 frame motors (3 hp models)
- Single- or three-phase motors available on selected models
- Seal features standard carbon/ceramic faces, nitrile elastomers, and 300 series stainless components
- Open drip-proof motors standard on all units, TEFC available on JM frame models



### SPECIFICATIONS

- Capacities to 650 gpm
- Heads to 300 feet
- 150 psi maximum working pressure
- 212 °F maximum temperature
- Clockwise rotation when viewed from motor end
- NPT pipe connections
- 4" x 5" flanged discharge / suction (DC4)

### APPLICATIONS

- Irrigation
- Commercial
- Construction
- Municipal
- Light Industrial
- General Services

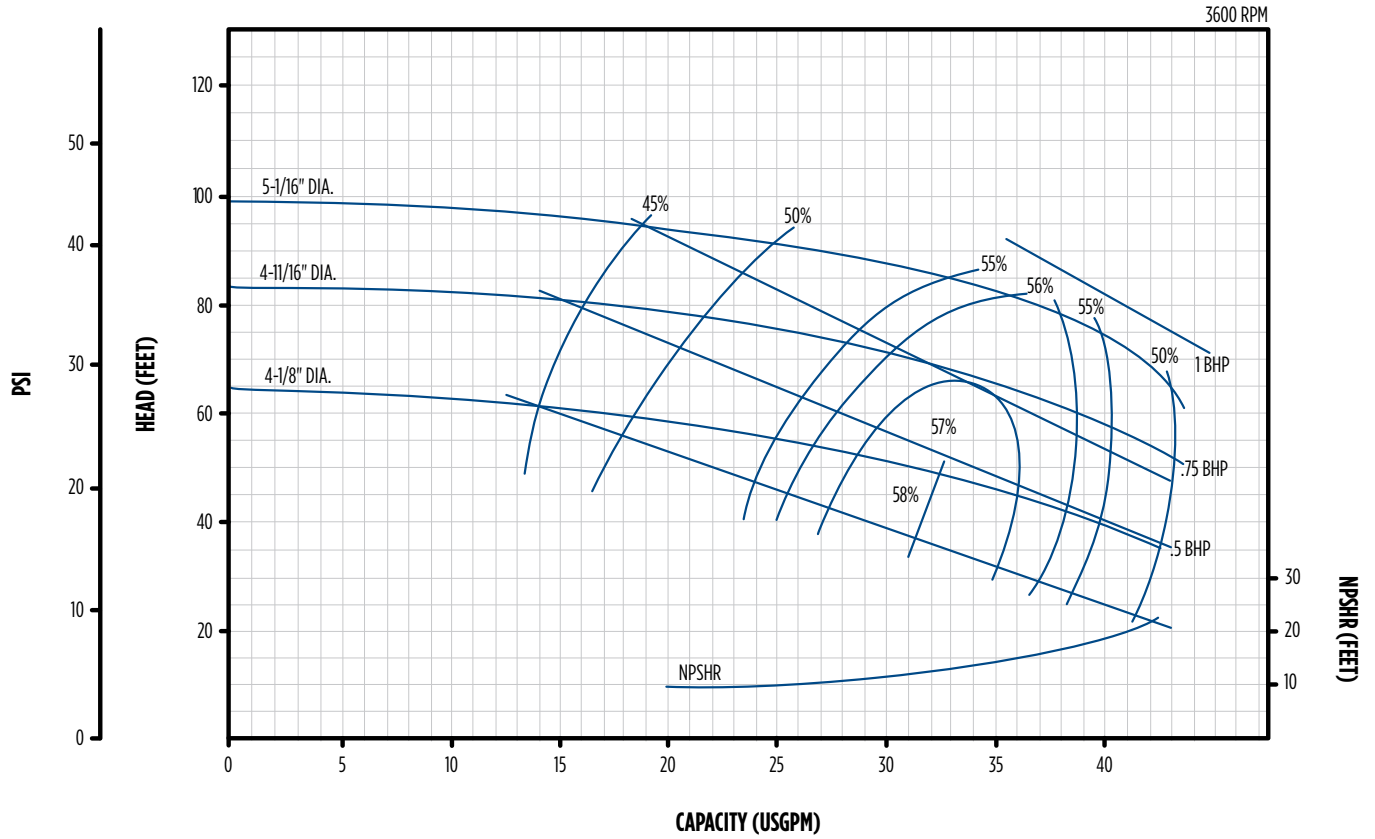
# CENTRIFUGAL PUMPS

CLOSE-COUPLED D-SERIES



## PERFORMANCE

DA1A



# CENTRIFUGAL PUMPS

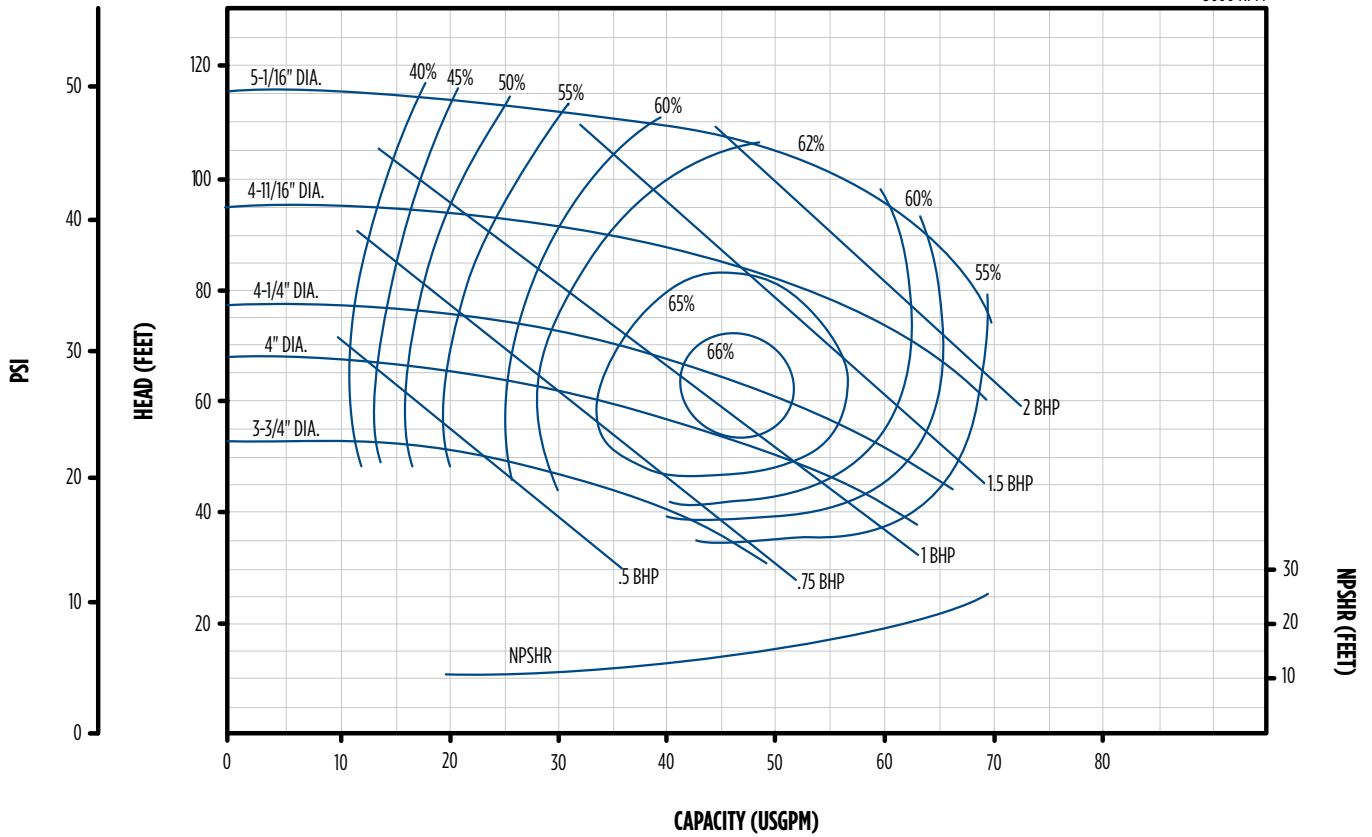
## CLOSE-COUPLED D-SERIES



### PERFORMANCE

DA1B

3600 RPM



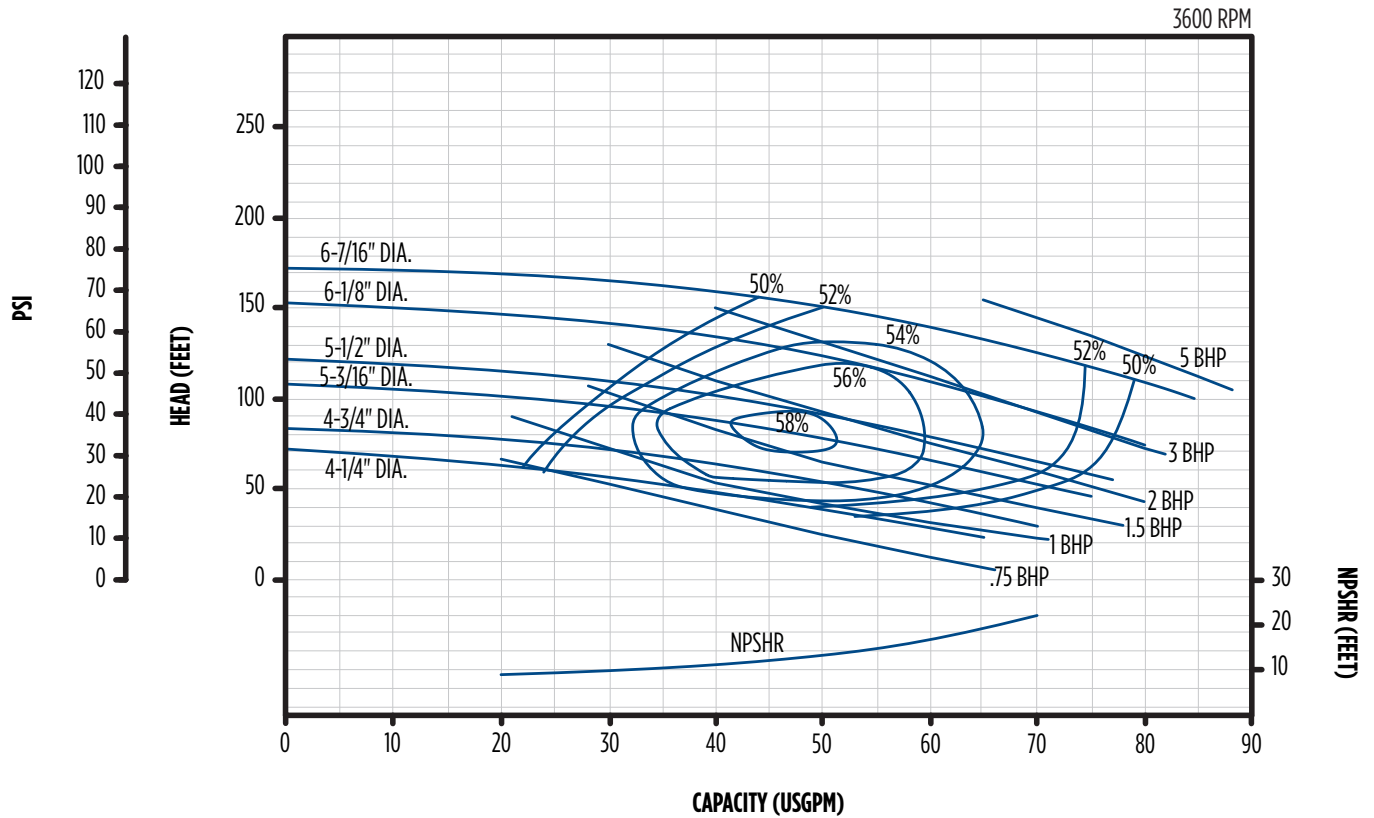
# CENTRIFUGAL PUMPS

CLOSE-COUPLED D-SERIES



## PERFORMANCE

DB1



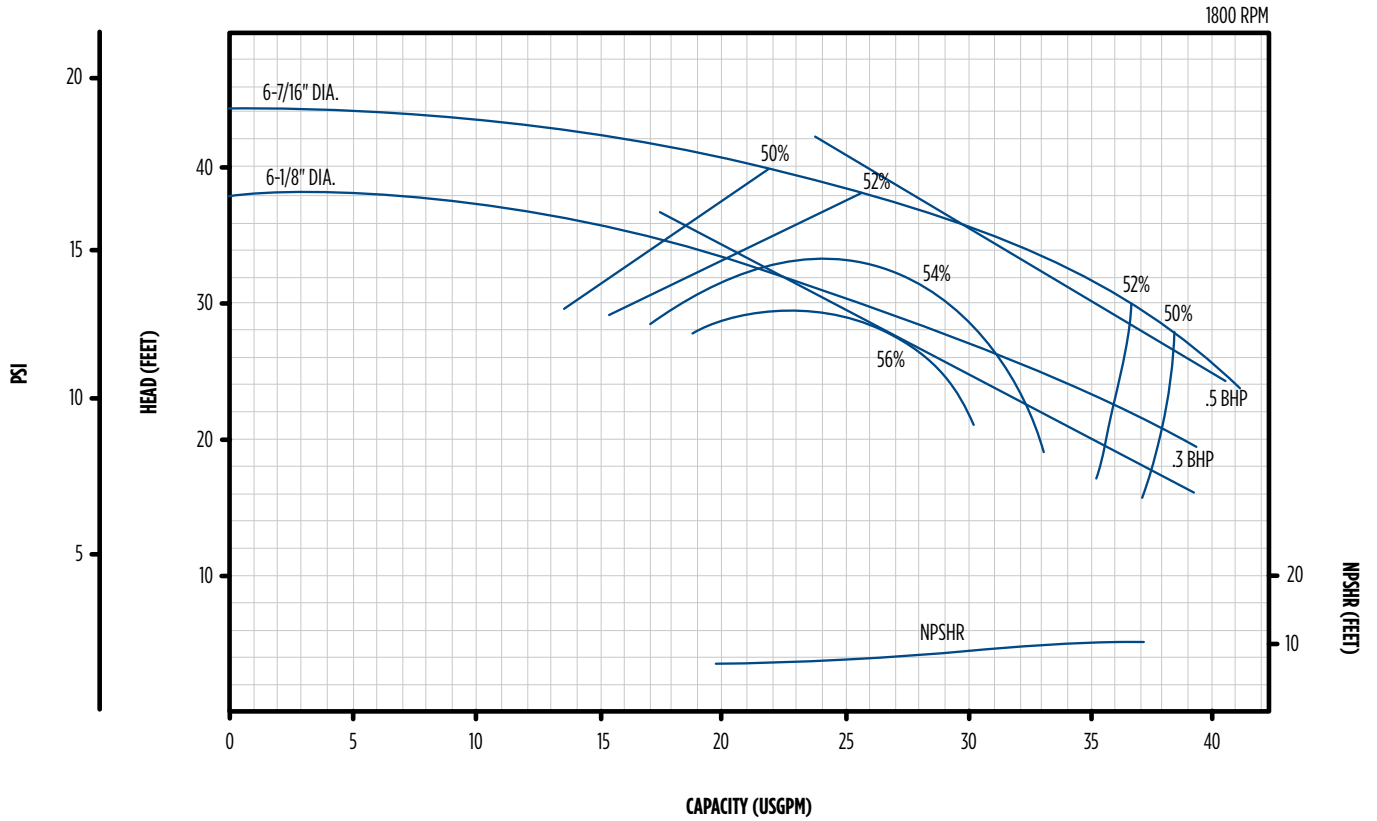
# CENTRIFUGAL PUMPS

CLOSE-COUPLED D-SERIES



## PERFORMANCE

DB1



NOTE: Available as pump end (1800 rpm) only.

# CENTRIFUGAL PUMPS

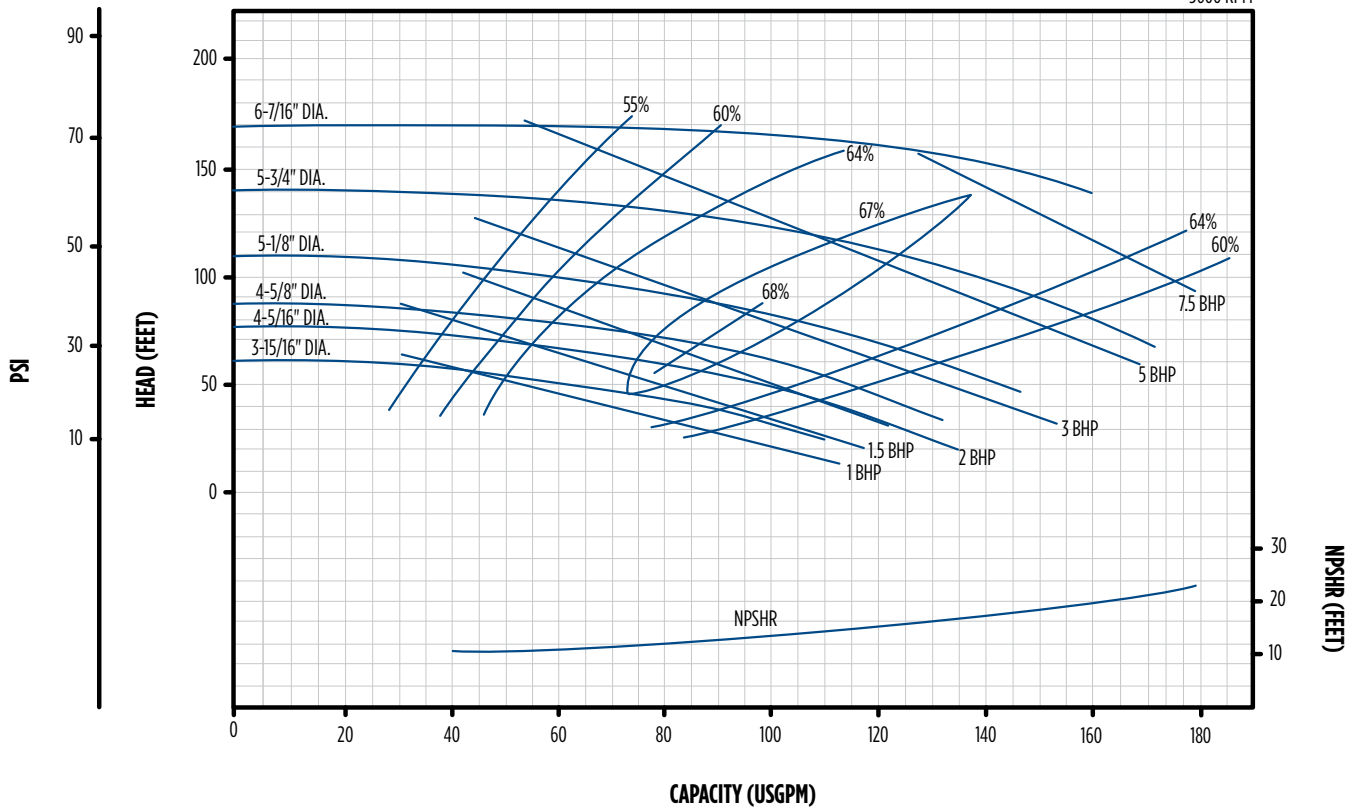
CLOSE-COUPLED D-SERIES



## PERFORMANCE

DB1-1/2

3600 RPM



# CENTRIFUGAL PUMPS

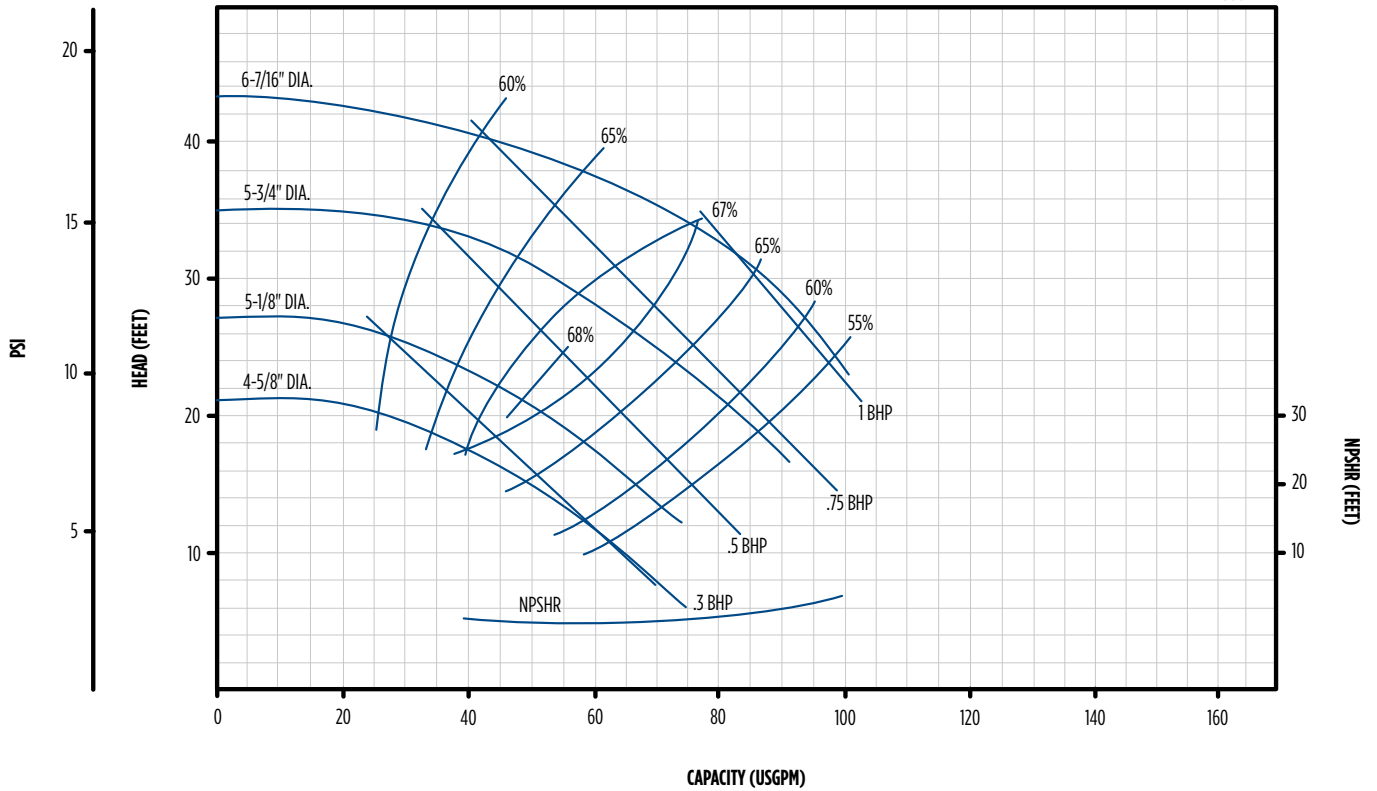
## CLOSE-COUPLED D-SERIES



### PERFORMANCE

DB1-1/2

1800 RPM



NOTE: Available as pump end (1800 rpm) only.

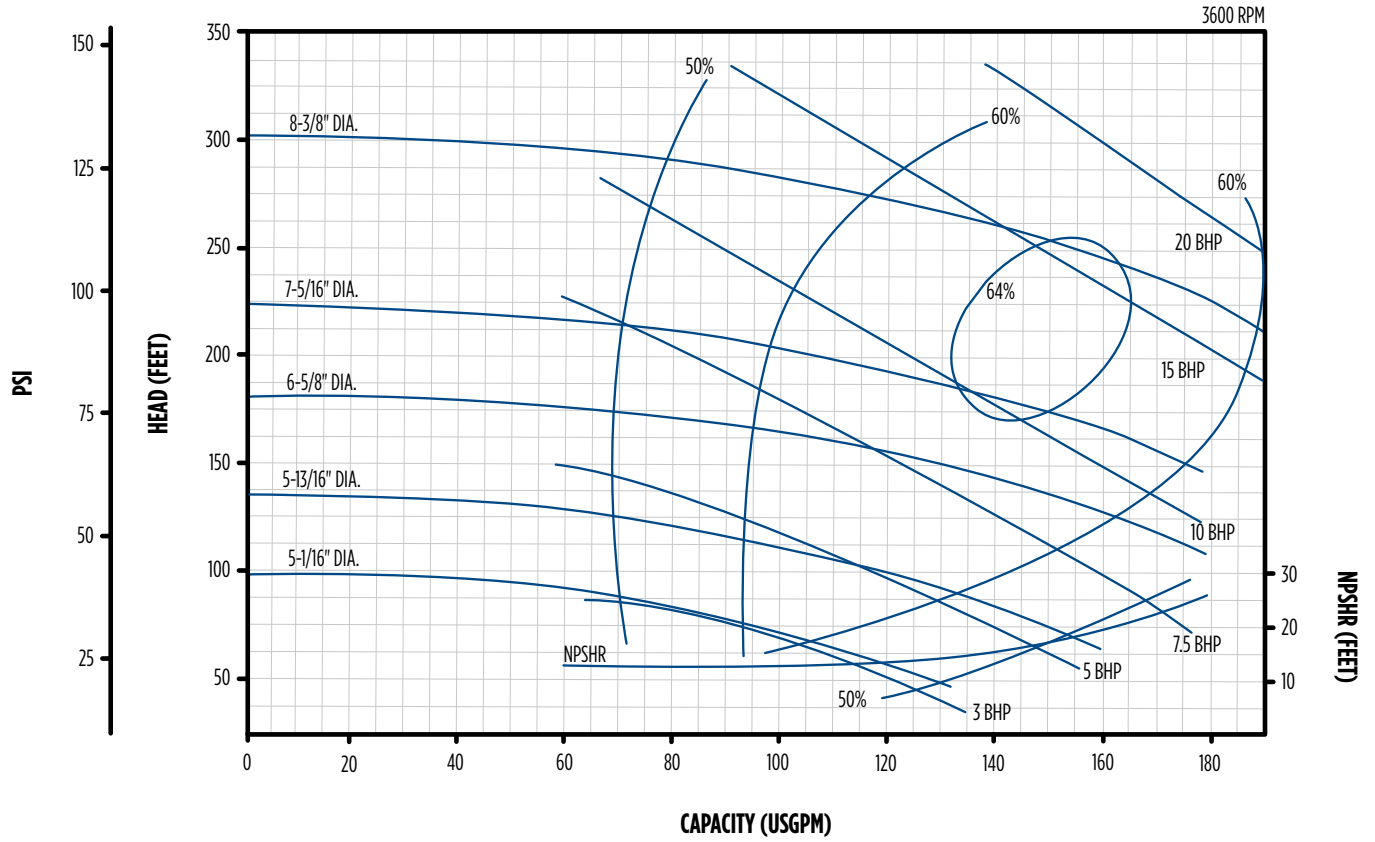
# CENTRIFUGAL PUMPS

## CLOSE-COUPLED D-SERIES



### PERFORMANCE

DC1-1/2





# CENTRIFUGAL PUMPS

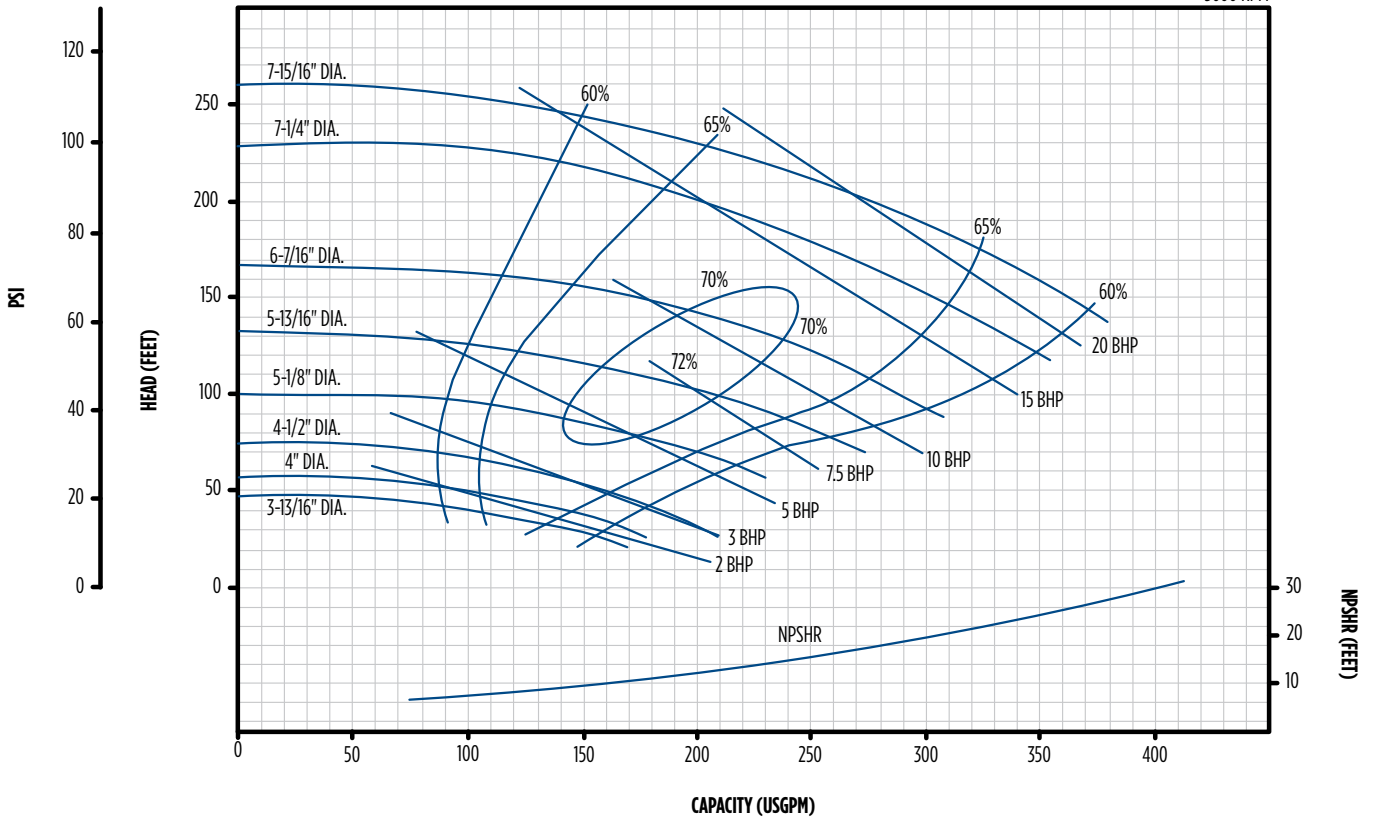
## CLOSE-COUPLED D-SERIES



### PERFORMANCE

DB2/DC2

3600 RPM



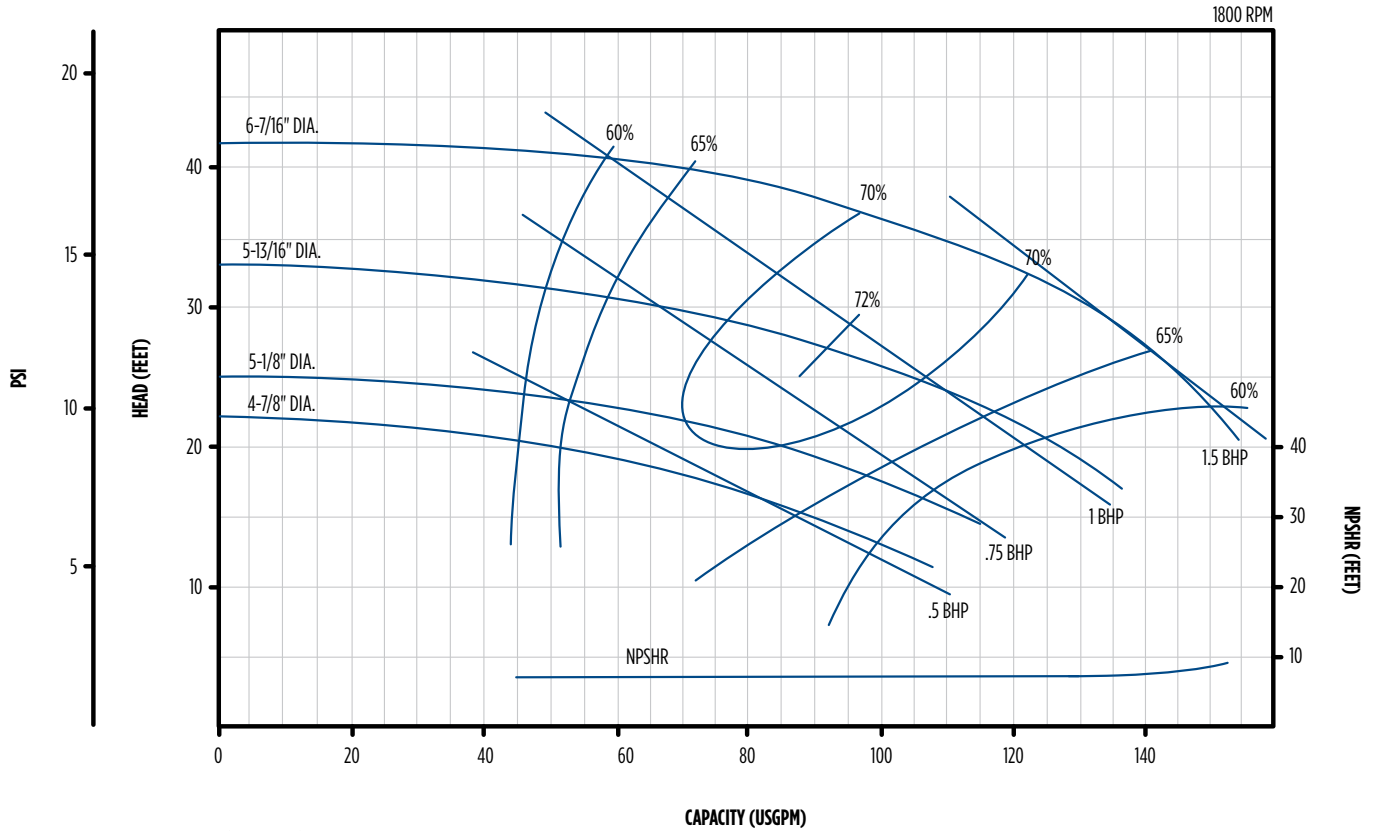
# CENTRIFUGAL PUMPS

## CLOSE-COUPLED D-SERIES



### PERFORMANCE

DB2



NOTE: Available as pump end (1800 rpm) only.

# CENTRIFUGAL PUMPS

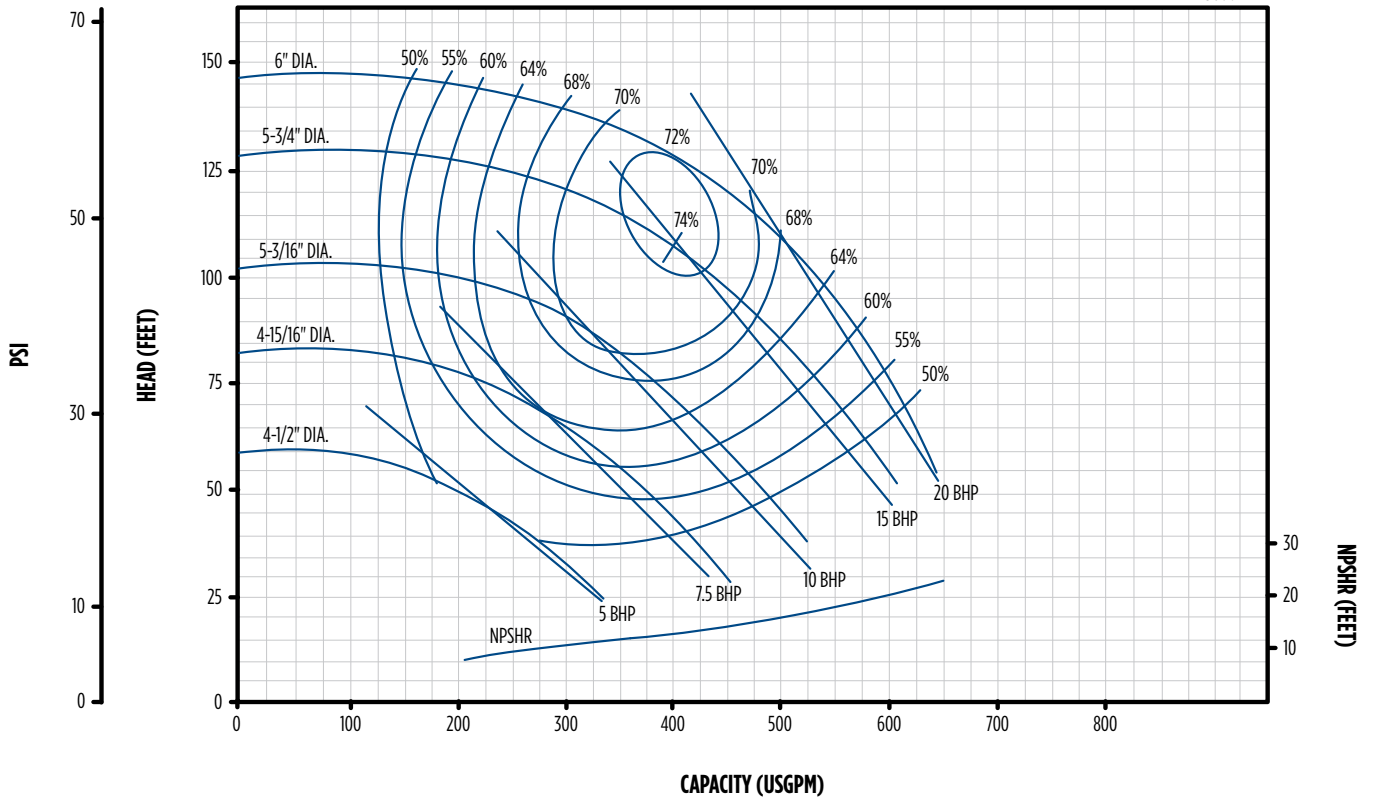
## CLOSE-COUPLED D-SERIES



### PERFORMANCE

DB3

3600 RPM



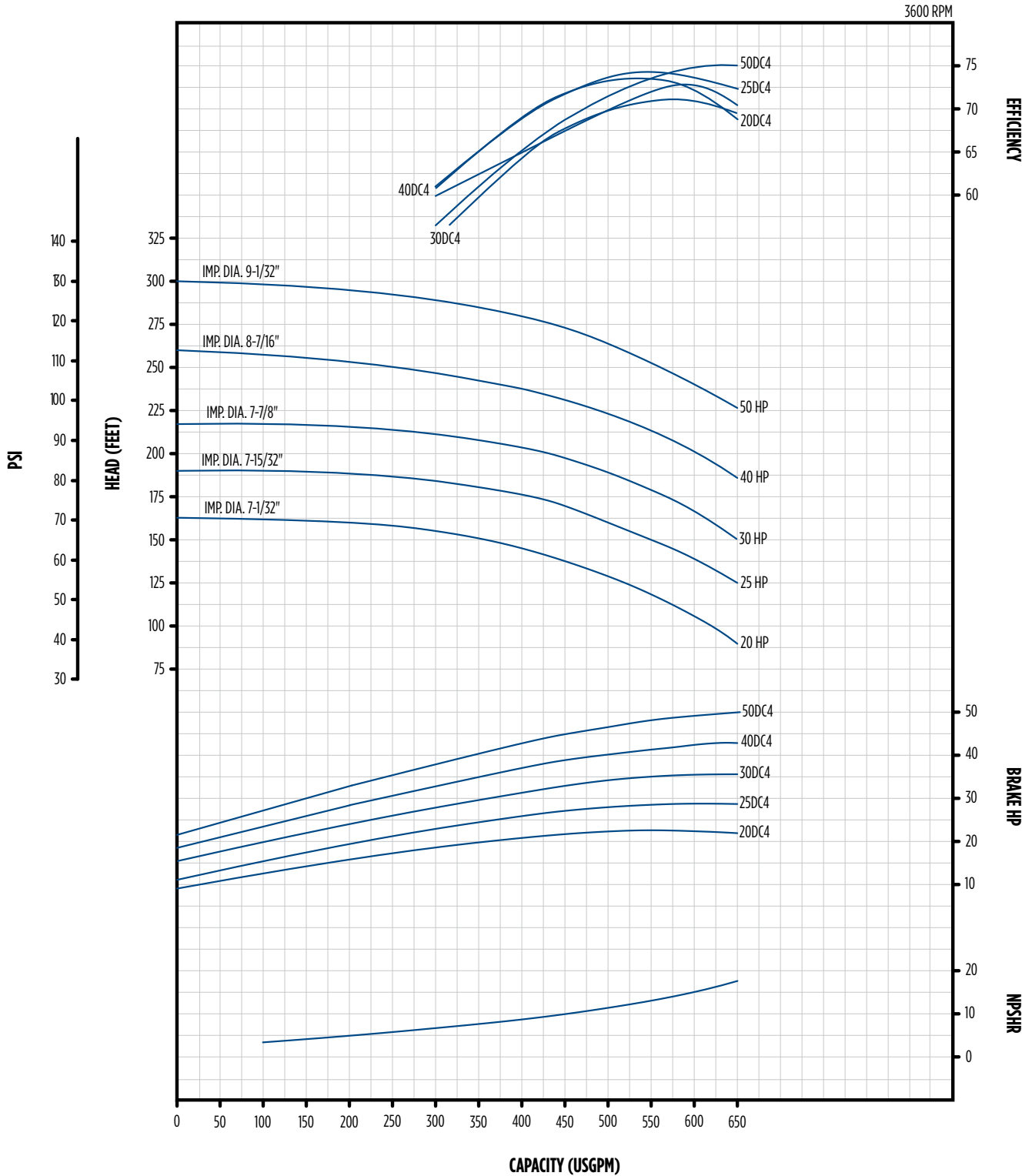
# CENTRIFUGAL PUMPS

## CLOSE-COUPLED D-SERIES



### PERFORMANCE

DC4



# CENTRIFUGAL PUMPS

## CLOSE-COUPLED D-SERIES



### ORDERING INFORMATION

Series	Sealing	Suc. x Dis. [NPT]	Enclosure	HP	PH	Volts	RPM	Order No.	Model No.	Wt. [lbs]						
DATA	Mech.	1.25" x 1"	ODP	0.5	1	115/230	3600	93160020	5FPDATA-S	35						
				0.75		115/230		93160038	7FPDATA-S	36						
				1		115/230		93160046	1FPDATA-S	37						
				0.5	3	208-230/460		93160061	5FPDATA-T	34						
				0.75		208-230/460		93160079	7FPDATA-T	37						
				1		208-230/460		93160087	1FPDATA-T	38						
DAIB	Mech.	1.25" x 1"	ODP	0.5	1	115/230	3600	93160137	5FPDAIB-S	36						
				0.75		115/230		93160145	7FPDAIB-S	38						
				1		115/230		93160152	1FPDAIB-S	40						
				1.5		115/230		93160160	15FPDAIB-S	46						
				2		115/230		93160178	2FPDAIB-S	49						
				0.5		3		208-230/460	93160186	5FPDAIB-T	31					
				0.75	208-230/460			93160194	7FPDAIB-T	33						
				1	208-230/460			93160202	1FPDAIB-T	35						
				1.5	208-230/460			93160210	15FPDAIB-T	45						
				2	208-230/460			93160228	2FPDAIB-T	48						
				0.75	ODP			1.5" x 1"	ODP	1	115/230	3600	93160285	7FPDBI-S	42	
				1		115/230					93160293		1FPDBI-S	45		
1.5	115/230	93160301	15FPDBI-S	55												
2	115/230	93160319	2FPDBI-S	53												
3	230	93160327	3FPDBI-S	74												
3 (145JM)	230	93160328	3FPDBI-S	107												
5	230	93160335	5FPDBI-S	122												
0.75	3	ODP	ODP	3		208-230/460	93160343				7FPDBI-T		48			
1						208-230/460	93160350				1FPDBI-T		50			
1.5						208-230/460	93160368			15FPDBI-T	52					
2						208-230/460	93160376			2FPDBI-T	54					
3						208-230/460	93160384			3FPDBI-T	64					
3 (145JM)						208-230/460	93160385			3FPDBI-T	74					
5						208-230/460	93160392			5FPDBI-T	82					
3						TEFC	1.5" x 1"			TEFC	1		115/208-230	93161328	3FPDBI-SE	131
5													115/208-230	93161335	5FPDBI-SE	161
3	3	208-230/460	93161385	3FPDBI-TE									84			
5		208-230/460	93161392	5FPDBI-TE							120					
0.75		ODP	2" x 1.5"	ODP	1			115/230	3600		93160467	1FPDBI-1/2-S	50			
1.5	115/230							93160475			15FPDBI-1/2-S	54				
2	115/230					93160483	2FPDBI-1/2-S	58								
3	230					93160491	3FPDBI-1/2-S	74								
3 (145JM)	230					93160492	3FPDBI-1/2-S	107								
5	230					93160509	5FPDBI-1/2-S	122								
7.5	230					93160517	75FPDBI-1/2-S	184								
1	3					ODP	ODP	3		208-230/460	93160525	1FPDBI-1/2-T	47			
1.5										208-230/460	93160533	15FPDBI-1/2-T	52			
2					208-230/460					93160541	2FPDBI-1/2-T	55				
3					208-230/460					93160558	3FPDBI-1/2-T	63				
3 (145JM)					208-230/460					93160559	3FPDBI-1/2-T	94				
5					208-230/460					93160566	5FPDBI-1/2-T	102				
7.5					208-230/460					93160574	75FPDBI-1/2-T	110				
3					TEFC					2" x 1.5"	TEFC	1	115/208-230	93161492	3FPDBI-1/2-SE	98
5													115/208-230	93161509	5FPDBI-1/2-SE	161
7.5	208-230					93161517	75FPDBI-1/2-SE	215								
3	3					208-230/460	93161559	3FPDBI-1/2-TE				102				
5		208-230/460	93161566	5FPDBI-1/2-TE		140										
7.5		208-230/460	93161574	75FPDBI-1/2-TE		118										

# CENTRIFUGAL PUMPS

## CLOSE-COUPLED D-SERIES



### ORDERING INFORMATION

Series	Sealing	Suc. x Dis. [NPT]	Enclosure	HP	PH	Volts	RPM	Order No.	Model No.	Wt. [lbs]	
DC1-1/2	Mech.	2" x 1.5"	ODP	3	1	230	3600	93160830	3FPDC1-1/2-S	122	
				5		230		93160848	5FPDC1-1/2-S	142	
				7.5		230		93160855	75FPDC1-1/2-S	162	
				10	230	93161168		10FPDC1-1/2-S	190		
				3	3	208-230/460		93160863	3FPDC1-1/2-T	117	
				5		208-230/460		93160871	5FPDC1-1/2-T	98	
			7.5	208-230/460		93160889		75FPDC1-1/2-T	132		
			10	208-230/460		93160897		10FPDC1-1/2-T	171		
			15	208-230/460		93160905		15FPDC1-1/2-T	175		
			3	1		115/208-230		93161830	3FPDC1-1/2-SE	146	
			5		115/208-230	93161848		5FPDC1-1/2-SE	181		
			7.5		208-230	93161855		75FPDC1-1/2-SE	193		
			10		208-230	93162168		10FPDC1-1/2-SE	206		
			3		3	208-230/460		93161863	3FPDC1-1/2-TE	127	
			5			208-230/460		93161871	5FPDC1-1/2-TE	136	
			7.5	208-230/460		93161889		75FPDC1-1/2-TE	140		
			10	208-230/460		93161897		10FPDC1-1/2-TE	209		
			15	208-230/460		93161905		15FPDC1-1/2-TE	194		
DB2/DC2	Mech.	3" x 2"	ODP	1.5		1	115/230	3600	93160657	15FPDB2-S	57
				2	115/230		93160665		2FPDB2-S	60	
				3	230		93160673		3FPDB2-S	80	
				3 (145JM)	230		93160674		3FPDB2-S	104	
				5	230		93160681		5FPDB2-S	119	
				7.5	230		93160699		75FPDB2-S	150	
				10	230	93161150	10FPDB2-S		171		
				1.5	3	208-230/460	93160707		15FPDB2-T	57	
				2		208-230/460	93160715		2FPDB2-T	60	
				3		208-230/460	93160723		3FPDB2-T	72	
				3 (145JM)		230	93160724		3FPDB2-T	104	
				5		208-230/460	93160731		5FPDB2-T	110	
			7.5	208-230/460		93160749	75FPDB2-T		116		
			10	208-230/460	93160756	10FPDB2-T	146				
			15	208-230/460	93161051	15FPDC2-T	210				
			20	208-230/460	93161069	20FPDC2-T	243				
			TEFC	1	3	115/208-230	93161674		3FPDB2-SE	128	
					5	115/208-230	93161681		5FPDB2-SE	158	
					7.5	208-230	93161699		75FPDB2-SE	181	
					10	208-230	93162150		10FPDB2-SE	187	
					3	3	208-230/460		93161724	3FPDB2-TE	82
					5		208-230/460		93161731	5FPDB2-TE	148
				7.5	208-230/460		93161749		75FPDB2-TE	124	
				10	208-230/460		93161756		10FPDB2-TE	184	
15	208-230/460	93162051		15FPDC2-TE	229						
20	208-230/460	93162069		20FPDC2-TE	338						

# CENTRIFUGAL PUMPS

## CLOSE-COUPLED D-SERIES



### ORDERING INFORMATION

Series	Sealing	Suc. x Dis. [NPT]	Enclosure	HP	PH	Volts	RPM	Order No.	Model No.	Wt. [lbs]		
DB3	Mech.	4" x 3"	ODP	5	1	230	3600	93167330	5FPDB3-S	132		
				7.5		230		93167348	75FPDB3-S	160		
				10		230		93167355	10FPDB3-S	174		
				5	3	208-230/460		93167363	5FPDB3-T	95		
				7.5		208-230/460		93167371	75FPDB3-T	120		
				10		208-230/460		93167389	10FPDB3-T	180		
				15		208-230/460		93167397	15FPDB3-T	183		
				20		208-230/460		93167405	20FPDB3-T	232		
			5	TEFC	115/208-230	93168330		5FPDB3-SE	171			
			7.5		208-230	93168348		75FPDB3-SE	191			
			10		208-230	93168355		10FPDB3-SE	190			
			5		3	208-230/460		93168363	5FPDB3-TE	133		
			7.5			208-230/460		93168371	75FPDB3-TE	128		
			10			208-230/460		93168389	10FPDB3-TE	218		
			15			208-230/460		93168397	15FPDB3-TE	202		
			20			208-230/460		93168405	20FPDB3-TE	327		
DC4	Mech.	4" x 4"	ODP	20	3	208-230/460	3600	93167710	20FPDC4-T	312		
				25		208-230/460		93167728	25FPDC4-T	325		
				30		208-230/460		93167736	30FPDC4-T	389		
				40		208-230/460		93167744	40FPDC4-T	433		
				50		208-230/460		93167785	50FPDC4-T	593		
		5" x 4" Flanged	TEFC	20	3	208-230/460		93168710	20FPDC4-TE	407		
				25		208-230/460		93168728	25FPDC4-TE	386		
				30		208-230/460		93168736	30FPDC4-TE	488		
				40		208-230/460		93168744	40FPDC4-TE	523		
				50		208-230/460		93168785	50FPDC4-TE	742		
		4" x 4"	TEFC	5" x 4" Flanged	20	3		208-230/460	3600	93168710	20FPDC4-TE	407
					25			208-230/460		93168728	25FPDC4-TE	386
					30			208-230/460		93168736	30FPDC4-TE	488
					40			208-230/460		93168744	40FPDC4-TE	523
					50			208-230/460		93168785	50FPDC4-TE	742

### ORDERING INFORMATION

### PUMP END KITS

Series	Suc. x Dis. [NPT]	HP	Impeller Trim	Max. Impeller Diameter	PH	Motor Frame	RPM	Order No.	Model No.	Wt. [lbs]
DB1	1-1/2" x 1"	1/3 - 1/2	6-7/16"	6-7/16"	1 or 3	56C	1800	93167413R242	FPDB1-K1	25
DB1-1/2	2" x 1-1/2"	1/3 - 1	6-7/16"					93167413R252	FPDB1-1/2-K1	30
DB2	3" x 2"	1/2 - 3/4	5-1/8"					93167413R262	FPDB2-K1	40
DB2/DC2	3" x 2"	1 - 1-1/2	6-7/16"					93167413R272	FPDB2-K2	40

NOTE: Maximum O.D. impeller supplied with pump end kits. Impeller must be trimmed to match motor hp. Consult catalog for specific trim sizes and performance. Impellers should be rebalanced after trimming.

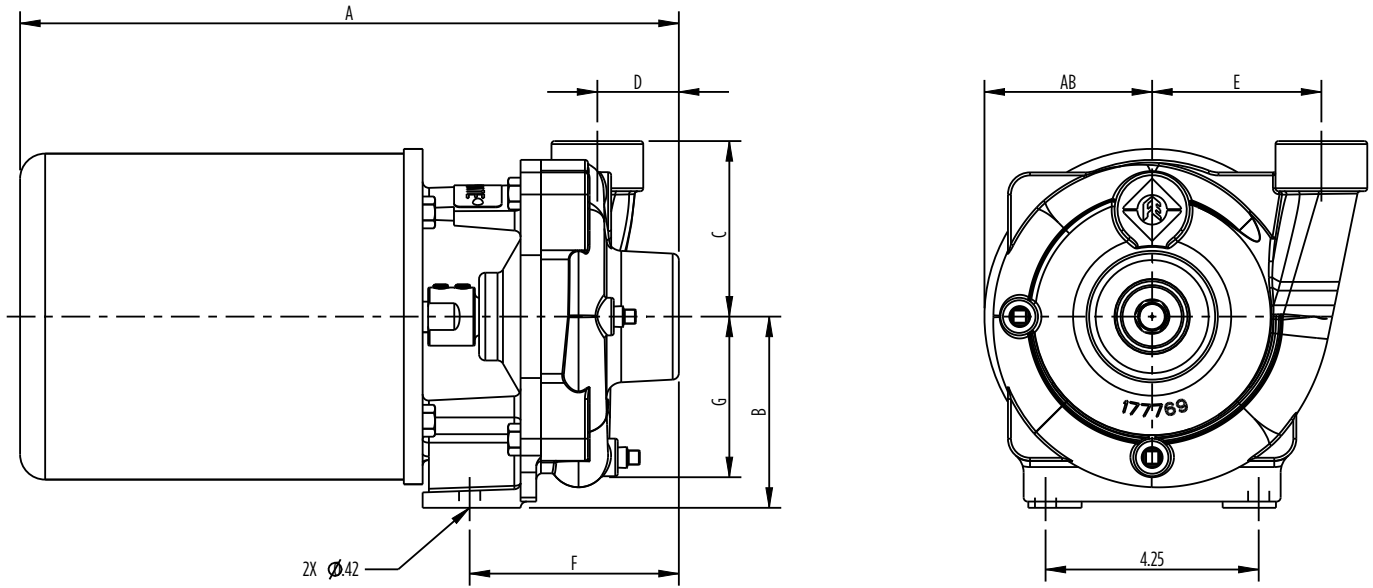
# CENTRIFUGAL PUMPS

## CLOSE-COUPLED D-SERIES



### DIMENSIONS

### DA1A - DA1B



Series	Suc. / Dis. [NPT]	HP	PH	A	B	C	D	E	F	G	AB
DA1A	1-1/4" x 1"	1/2	1	15.92	3.81	3.50	1.63	3.38	4.17	3.40	3.34
		1/2	3	13.70							
		3/4	1	16.32							
		3/4	3	14.75							
		1	1	16.92							
		1	3	15.00							
DA1B	1-1/4" x 1"	1/2	1	15.92	3.81	3.50	1.63	3.38	4.17	3.40	3.34
		1/2	3	13.70							
		3/4	1	16.32							
		3/4	3	14.75							
		1	1	16.92							
		1	3	15.00							
		1-1/2	1	17.42							
		1-1/2	3	14.79							
		2	1	15.79							
		2	3	15.29							

NOTE: Dimensions shown are based on 56C ODP 3600 rpm motor. In some cases dimensions "G" may be greater than "B".



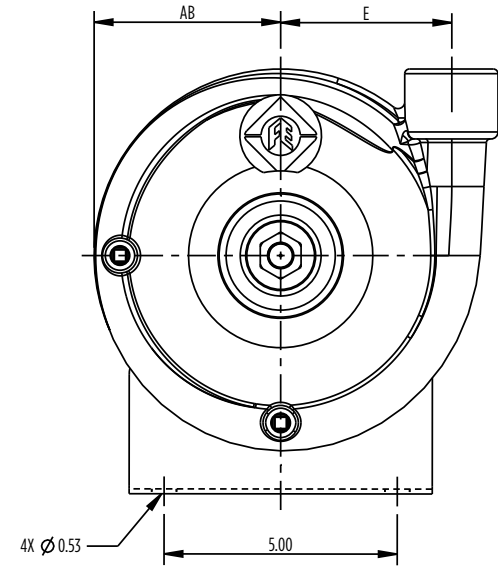
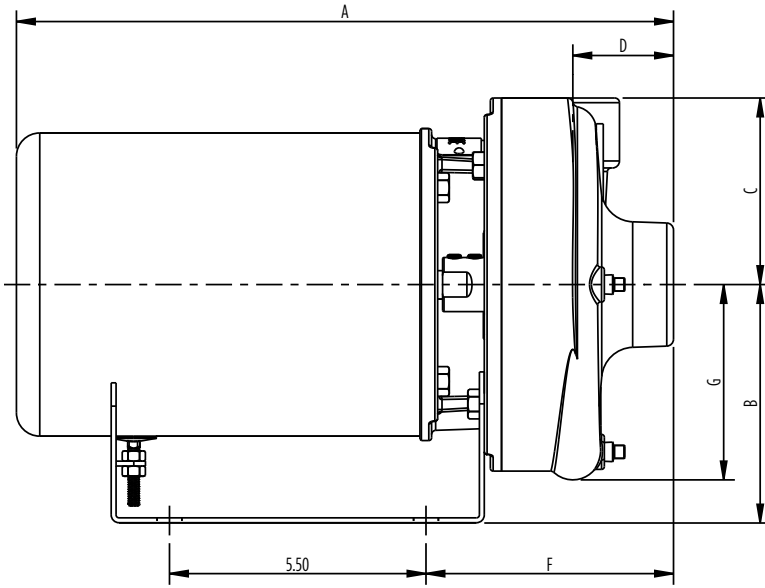
# CENTRIFUGAL PUMPS

## CLOSE-COUPLED D-SERIES



### DIMENSIONS

### DB1 - DB2



Series	Suc. / Dis. [NPT]	HP	PH	A	B	C	D	E	F	G	AB
DB1	1-1/2" x 1"	3/4	1	16.28	5.11	4.00	2.16	3.66	5.31	4.19	2.94
		3/4	3	14.71							2.94
		1	1	16.88							2.94
		2	3	14.96							2.94
		1-1/2	1	17.38							2.81
		1-1/2	3	14.75							3.25
		2	1	15.75							3.27
		2	3	15.25							3.25
		3	1	16.25							3.27
DB1-1/2	2" x 1-1/2"	1	1	16.94	5.11	4.50	2.37	3.91	5.35	4.53	2.94
		1	3	15.02							2.94
		1-1/2	1	17.44							2.81
		1-1/2	3	14.81							3.25
		2	1	15.81							3.27
		2	3	15.31							3.25
		3	1	16.31							3.27
		3	3	16.31							3.25
		DB2	3" x 2"	1-1/2							1
1-1/2	3			16.13	3.25						
2	1			17.13	3.27						
2	3			16.63	3.25						
3	1			17.63	3.27						
3	3			17.63	3.25						

NOTE: Dimensions shown are based on 56C ODP 3600 rpm motor. In some cases dimensions "G" may be greater than "B".

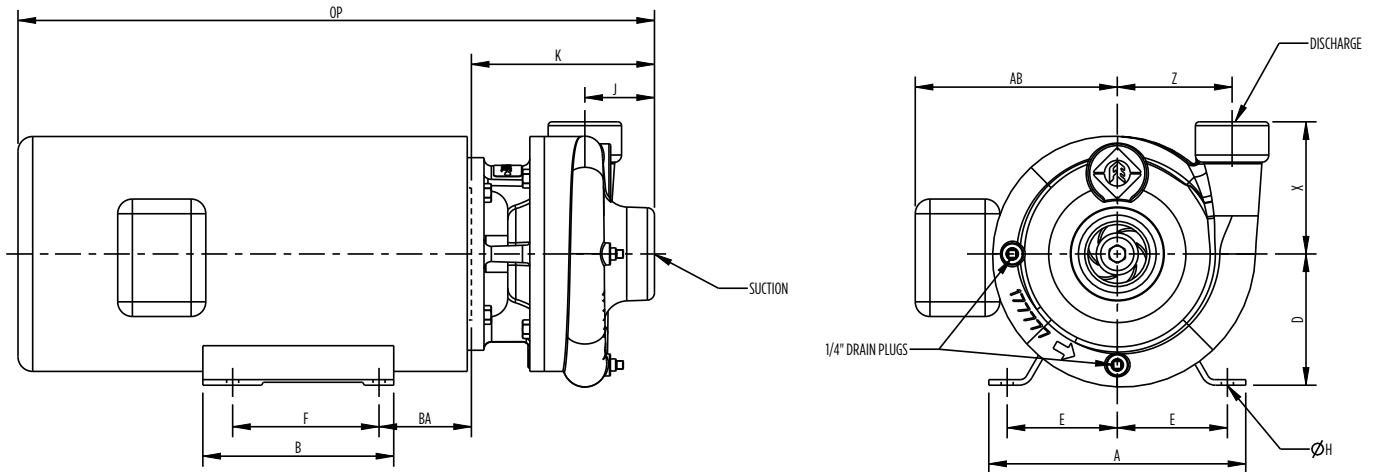
# CENTRIFUGAL PUMPS

## CLOSE-COUPLED D-SERIES



### DIMENSIONS

### DB1-DC4



Series	Suc. / Dis. [NPT]	HP	PH	A	B	D	E	F	H	J	K	X	Z	AB	BA	OP1
DB1	1-1/2" x 1"	3	1	6.70	5.90	3.50	2.75	5.00	0.34	2.16	6.31	4.00	3.66	6.50	1.78	17.24
		3	3	6.54	6.30	3.50	2.75	5.00	0.34					6.38	2.75	16.86
		5	1	8.75	6.50	4.50	3.75	5.50	0.41					n/a	3.63	19.29
		5	3	8.75	6.50	4.50	3.75	5.50	0.41					6.88	3.50	19.50
DB1-1/2	2" x 1-1/2"	3	1	6.70	5.90	3.50	2.75	5.00	0.34	2.37	6.34	4.50	3.91	6.50	1.78	17.27
		3	3	6.54	6.30	3.50	2.75	5.00	0.34					6.38	2.75	16.89
		5	1	8.75	6.50	4.50	3.75	5.50	0.41					n/a	3.63	11.78
		5	3	8.75	6.50	4.50	3.75	5.50	0.41					6.88	3.50	19.53
		7.5	1	8.75	6.50	4.50	3.75	5.50	0.41					6.88	3.63	20.76
		7.5	3	8.75	6.50	4.50	3.75	5.50	0.41					6.88	3.50	19.53
DC1-1/2	2" x 1-1/2"	3	1	6.70	5.90	3.50	2.75	5.00	0.34	2.41	6.45	5.63	5.19	6.50	1.78	17.38
		3	3	6.54	6.30	3.50	2.75	5.00	0.34					6.38	2.75	17.00
		5	1	8.75	6.50	4.50	3.75	5.50	0.41					-	3.63	12.84
		5	3	8.75	6.50	4.50	3.75	5.50	0.41					6.88	3.50	19.64
		7.5	1	8.75	6.50	4.50	3.75	5.50	0.41					6.88	3.63	20.87
		7.5	3	8.75	6.50	4.50	3.75	5.50	0.41					6.88	3.50	19.64
		10	1	10.00	8.26	5.25	4.25	6.50	0.41					7.75	4.23	14.95
		10	3	9.50	6.50	5.25	4.25	5.50	0.41					7.75	4.25	13.50
		15	3	9.50	8.00	5.25	4.25	7.00	0.41					7.75	4.25	15.00
		DB2/DC2	2" x 3"	3	1	6.70	5.90	3.50	2.75					5.00	0.34	2.41
3	3			6.54	6.30	3.50	2.75	5.00	0.34	6.38	2.75	17.00				
5	1			8.75	6.50	4.50	3.75	5.50	0.41	n/a	3.63	20.97				
5	3			8.75	6.50	4.50	3.75	5.50	0.41	6.88	3.50	19.64				
7.5	1			8.75	6.50	4.50	3.75	5.50	0.41	6.88	3.63	20.87				
7.5	3			8.75	6.50	4.50	3.75	5.50	0.41	6.88	3.50	19.64				
10	1			10.00	8.26	5.25	4.25	6.50	0.41	7.75	4.23	22.64				
10	3			9.50	6.50	5.25	4.25	5.50	0.41	7.75	4.25	21.19				
15	3			9.50	8.00	5.25	4.25	7.00	0.41	7.75	4.25	23.12				
20	3			11.25	9.50	6.25	5.00	8.25	0.53	9.05	4.75	28.36				
DB3	3" x 4"	5	1	8.75	6.50	4.50	3.75	5.50	0.41	3.29	8.13	7.06	4.09	-	3.63	20.97
		5	3	8.75	6.50	4.50	3.75	5.50	0.41					6.88	3.50	21.32
		7.5	1	8.75	6.50	4.50	3.75	5.50	0.41					6.88	3.63	14.42
		7.5	3	8.75	6.50	4.50	3.75	5.50	0.41					6.88	3.50	21.32
		10	1	10.00	8.26	5.25	4.25	6.50	0.41		7.75			4.23	23.08	
		10	3	9.50	6.50	5.25	4.25	5.50	0.41		7.75			4.25	21.63	
		15	3	9.50	8.00	5.25	4.25	7.00	0.41		7.75			4.25	23.13	
		20	3	11.25	9.50	6.25	5.00	8.25	0.53		9.13			4.75	28.44	
DC4	4" x 4"	20	3	11.25	9.50	6.25	5.00	8.25	0.53	4.84	9.80	8.87	6.45	10.10	4.75	29.11
		25	3	11.25	11.25	6.25	5.00	10.00	0.53					10.00	4.75	29.74
		30	3	13.50	12.94	7.00	5.50	9.50	0.53					11.75	4.75	30.30
	5" x 4" (Flanged)	40	3	13.50	12.94	7.00	5.50	11.00	0.53	3.71	8.66	8.75	6.45	11.75	4.75	29.16
		50	3	15.00	13.94	8.00	6.25	10.50	0.66					12.81	5.25	29.85

NOTE: Dimensions shown are for units using 60 cycle open-dripproof JM frame motors, 3600 rpm. Total pump length will vary with motor manufacturer.

# CENTRIFUGAL PUMPS

## CLOSE-COUPLED D-SERIES



### MOTOR SPECIFICATIONS

### ODP ENCLOSURE

HP	Phase	Volts	SF	Frame	AK Fit	Shaft Size	Amps	S.F. Amps	Order No.	Wt. [lbs]
0.5	1	115/230	1.6	56C	4.5	5/8	9.6/4.8	11.8/5.9	106026007	20
0.5	3	208-230/460	1.61	56C	4.5	5/8	2.1-2.2/1.1	2.8-2.7/1.35	106023018	19
0.75	1	115/230	1.5	56C	4.5	5/8	12.8/6.4	14.8/7.4	106026008	22
0.75	3	208-230/460	1.51	56C	4.5	5/8	2.7-2.8/1.4	3.8-3.6/1.8	106023019	15
1	1	115/230	1.4	56C	4.5	5/8	13.2/6.6	16.8/8.4	106026009	21
1	3	208-230/460	1.41	56C	4.5	5/8	3.6-3.8/1.9	4.6-4.6/2.3	106023020	17
1.5	1	115/230	1.3	56C	4.5	5/8	14.4/7.7	18.4/9.2	106026010	27
1.5	3	208-230/460	1.3	56C	4.5	5/8	4.4-4.3/2.2	4.9-4.7/2.4	106023021	24
2	1	115/230	1.21	56C	4.5	5/8	19.6/9.8	22.2/11.1	106026011	32
2	3	208-230/460	1.2	56C	4.5	5/8	6.1-5.6/2.8	6.4/3.2	106023022	34
3	1	208-230	1.15	56C	4.5	5/8	14.0-12.8	15.7-14.2	90112897R000	37
3	1	230	1.15	145JM	4.5	7/8	13.4	-	106026013	38
3	3	208-230/460	1.15	56C	4.5	5/8	8.6-8.4/4.2	9.4/4.7	106023023	35
3	3	208-230/460	1.15	145JM	4.5	7/8	9.0-8.6/4.6	-	106023024	42
5	1	230	1.15	145JM	4.5	7/8	20	-	106026014	53
5	1	230	1.15	184JM	4.5	7/8	19.6	23.2	106026015	94
5	3	208-230/460	1.15	182JM	4.5	7/8	14.8-13.2/6.6	15.3/7.6	106023025	50
7.5	1	230	1.15	184JM	4.5	7/8	29	-	106026016	112
7.5	3	208-230/460	1.15	184JM	4.5	7/8	21.6-19.3/9.6	22.2/11.1	106023026	85
10	1	230	1.15	215JM	8.5	7/8	42	-	106026017	130
10	3	208-230/460	1.15	213JM	8.5	7/8	28.3-25.7/12.9	29.7/14.8	106023027	105
15	3	208-230/460	1.15	215JM	8.5	7/8	43-37/18.6	44.0/21.8	106023028	144
20	3	208-230/460	1.15	254JM	8.5	1 1/4	55-48/24.0	56.0/28.1	106023029	170
25	3	208-230/460	1.15	256JM	8.5	1 1/4	70-61/31.0	72.0/36.0	106023030	212
30	3	208-230/460	1.15	284JM	12.5	1 1/4	82-74/37.0	85.0/42.0	106023031	276
40	3	208-230/460	1.15	286JM	12.5	1 1/4	109-95/47.0	111/56.0	106023032	320
50	3	230/460	1.15	324JM	12.5	1 1/4	119/60.0	138/69.0	106023033	400

NOTE: Every attempt has been made to provide the most current and accurate information possible at the time of print. It is essential for the installing contractor to confirm motor nameplate data before installation.

### MOTOR SPECIFICATIONS

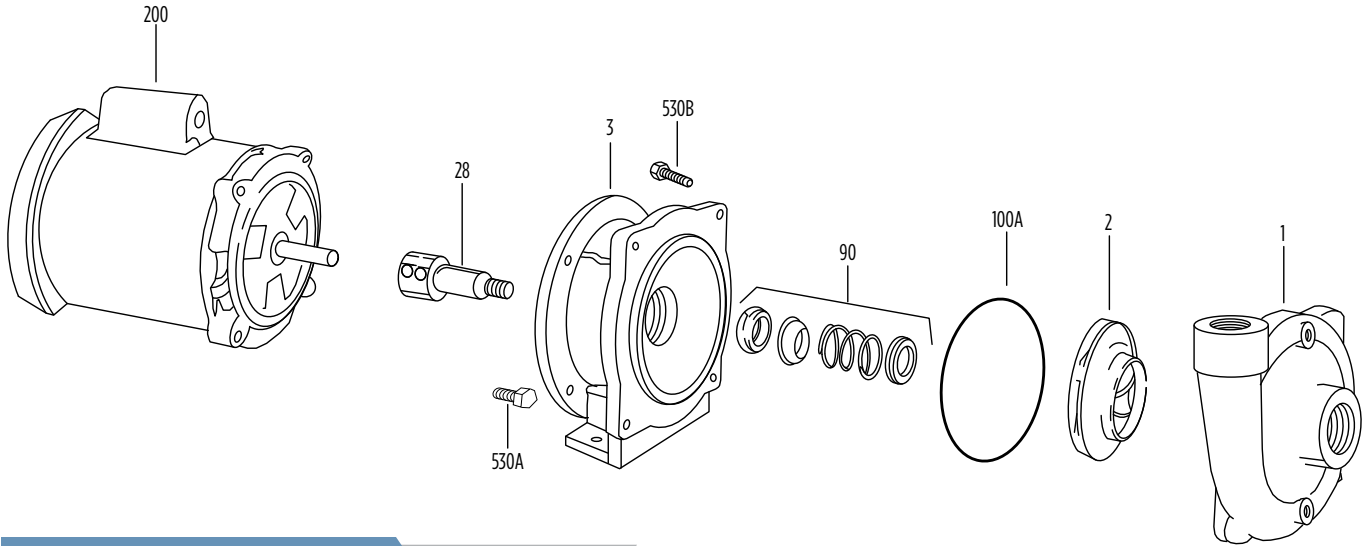
### TEFC ENCLOSURE

HP	PH	Volts	SF	Frame	AK Fit	Shaft Size	Amps	S.F. Amps	Order No.	Wt. [lbs]
3	1	115/208-230	1.15	145JM	4.5	7/8	26.0/14.0-13.0	29.9/16.1-15	104220000	62
3	3	208-230/460	1.15	145JM	4.5	7/8	8.16-7.52/3.76	9.4-8.6/4.3	104220001	52
5	1	208-230	1.15	184JM	4.5	7/8	23.0-21.9	26.5-25.2	104220002	92
5	3	208-230/460	1.25	184JM	4.5	7/8	13.0-11.8/5.90	16.3-14.8/7.4	104220003	88
7.5	1	208-230	1.15	215JM	8.5	7/8	33.4-29.8	38.4-34.3	104220004	143
7.5	3	208-230/460	1.15	184JM	4.5	7/8	18.8-17.0/8.48	21.6-19.6/9.8	104220005	93
10	1	208-230	1.15	215JM	8.5	7/8	43.2-38.8	49.7-44.6	104220006	155
10	3	208-230/460	1.25	215JM	8.5	7/8	26.1-23.6/11.8	32.6-29.5/14.8	104220007	143
15	3	208-230/460	1.15	215JM	8.5	7/8	37.2-33.6/16.8	42.8-38.6/19.3	104220008	163
20	3	208-230/460	1.25	254JM	8.5	1 1/4	51.3-47.4/23.7	64.1-59.3/29.6	104220009	265
25	3	208-230/460	1.15	256JM	8.5	1 1/4	62.8-56.8/28.4	72.2-65.3/32.6	104220010	273
30	3	208-230/460	1.25	284JM	8.5	1 1/4	74.5-67.4/33.7	93.1-84.3/42.1	104220011	375
40	3	208-230/460	1.15	286JM	8.5	1 1/4	101-91.2/45.6	116.2-104.9/52.4	104220012	410
50	3	208-230/460	1.25	324JM	8.5	1 1/4	125-113/56.5	156.3-141.3/70.6	104220013	549

NOTE: Every attempt has been made to provide the most current and accurate information possible at the time of print. It is essential for the installing contractor to confirm motor nameplate data before installation.

# CENTRIFUGAL PUMPS

## CLOSE-COUPLED D-SERIES



### MATERIALS AND PARTS

DA1A

Fig. No.	Part Description	Repair No.	Materials
1	Volute Case (NPT) w/plugs	305717001	Cast iron, ASTM-A48 CL30
2	1/2 hp Impeller Trim 4.13" (9/16-18 Thd)	305717003	304 stainless steel
2	3/4 hp Impeller Trim 4.70" (9/16-18 Thd)	305717004	304 stainless steel
2	1 hp Impeller Trim 5.06" (9/16-18 Thd)	305717005	304 stainless steel
3	Motor Bracket	305717006	Cast iron, ASTM-A48 CL30
28	Coupling (includes set screws)	305447022	416 stainless steel
90	Mechanical Shaft Seal	305463203	Carbon/ceramic/nitrile/316 stainless steel
100A	Volute Case O-ring (2-pack)	305463209	Nitrile
200	Motor		See Motor Section
Not Shown	Pipe Plug (4-pack)	305463009	CAD-plated steel
530A	Motor Bracket Hex Cap Screw	305463030	Zinc-plated steel
530B	Volute Case Hex Cap Screw	305463030	Zinc-plated steel

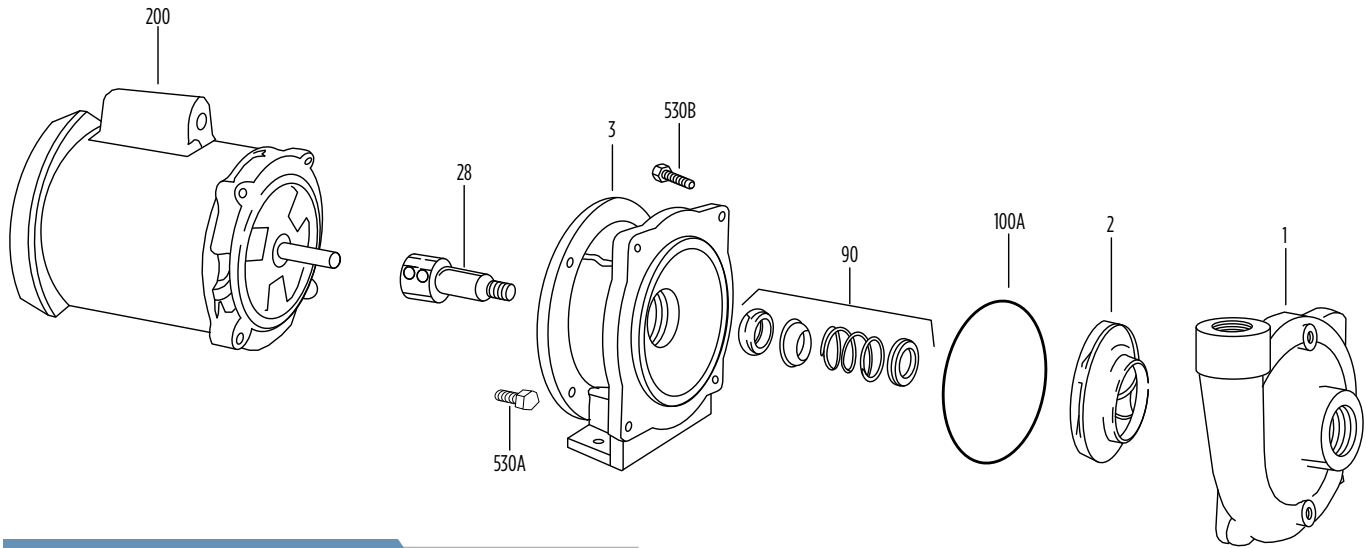
### REPLACEMENT MOTORS

DA1A

HP	PH	ODP Enclosure	
		Frame	Order No.
0.5	1	56C	106026007
0.5	3		106023018
0.75	1		106026008
0.75	3		106023019
1	1		106026009
1	3		106023020

# CENTRIFUGAL PUMPS

## CLOSE-COUPLED D-SERIES



### MATERIALS AND PARTS

DA1B

Fig. No.	Part Description	Repair No.	Materials
1	Volute Case (NPT) w/plugs	305717001	Cast iron, ASTM-A48 CL30
2	1/2 hp Impeller Trim 3.75" (9/16-18 Thd)	305717007	304 stainless Steel
2	3/4 hp Impeller Trim 4.00" (9/16-18 Thd)	305717008	304 stainless Steel
2	1 hp Impeller Trim 4.25" (9/16-18 Thd)	305717009	304 stainless Steel
2	1.5 hp Impeller Trim 4.69" (9/16-18 Thd)	305717010	304 stainless Steel
2	2 hp Impeller Trim 5.06" (9/16-18 Thd)	305717011	304 stainless Steel
3	Motor Bracket	305717006	Cast iron, ASTM-A48 CL30
28	Coupling (includes set screws)	305447022	416 stainless steel
90	Mechanical Shaft Seal	305463203	Carbon/ceramic/nitrile/316 stainless steel
100A	Volute Case O-ring (2-pack)	305463209	Nitrile
200	Motor		See Motor Section
Not Shown	Pipe Plug (4-pack)	305463009	CAD-plated steel
530A	Motor Bracket Hex Cap Screw	305463030	Zinc-plated steel
530B	Volute Case Hex Cap Screw	305463030	Zinc-plated steel

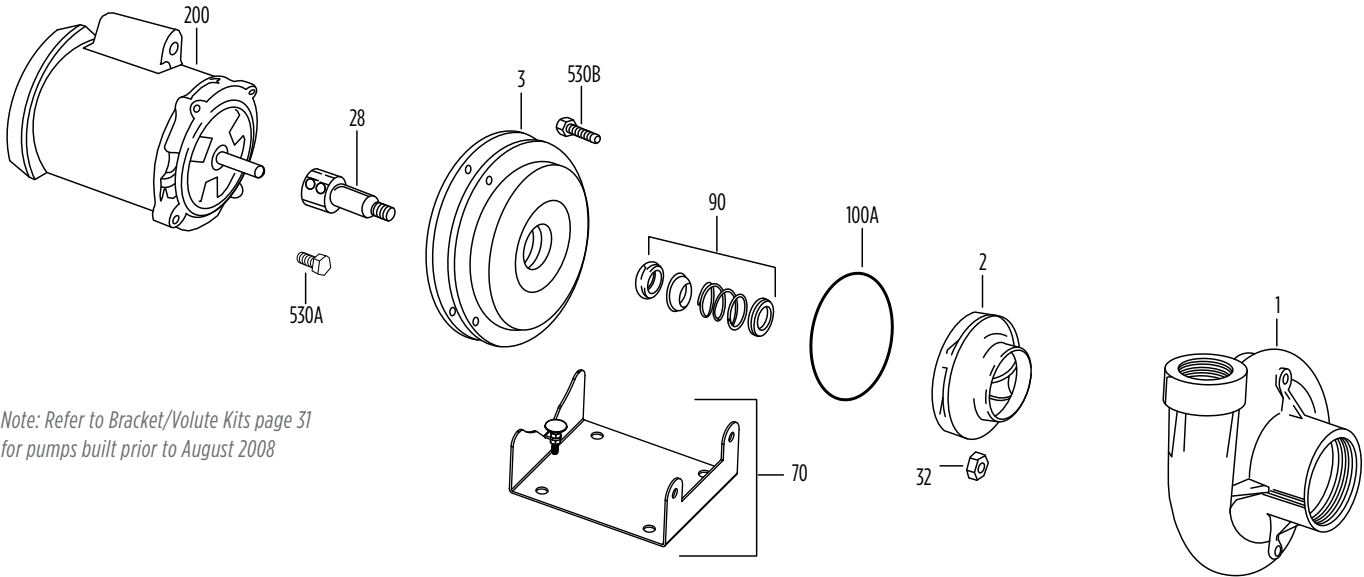
### REPLACEMENT MOTORS

DA1B

HP	PH	ODP Enclosure	
		Frame	Order No.
0.5	1	56C	106026007
0.5	3		106023018
0.75	1		106026008
0.75	3		106023019
1	1		106026009
1	3		106023020
1.5	1		106026010
1.5	3		106023021
2	1		106026011
2	3		106023022

# CENTRIFUGAL PUMPS

## CLOSE-COUPLED D-SERIES



Note: Refer to Bracket/Volute Kits page 31 for pumps built prior to August 2008

### MATERIALS AND PARTS

DB1

Fig. No.	Part Description	Repair No.	Materials
1	Volute Case (NPT) w/plugs	305447001	Cast iron, ASTM-A48 CL30
2	3/4 hp Impeller Trim 4.25" (9/16-18 Thd)	305447017	Silicon brass, ASTM B584
2	1 hp Impeller Trim 4.750" (9/16-18 Thd)	305447018	Silicon brass, ASTM B584
2	1.5 hp Impeller Trim 5.19" (9/16-18 Thd)	305447019	Silicon brass, ASTM B584
2	2 hp Impeller Trim 5.50" (9/16-18 Thd)	305447020	Silicon brass, ASTM B584
2	3 hp Impeller Trim 6.12" (9/16-18 Thd)	305447025	Silicon brass, ASTM B584
2	1800 rpm Pump End Kits Impeller Trim 6.44" max. (9/16-18 Thd)*	305447026	Silicon brass, ASTM B584
3	Motor Bracket	305447021	Cast iron, ASTM-A48 CL30
28	Coupling (includes set screws)	305447022	416 stainless steel
32	Impeller Jam Nut	305447023	18-8 stainless steel
70	Base Assembly	305447024	Various
90	Mechanical Shaft Seal	305463203	Carbon/ceramic/nitrile/316 stainless steel
100A	Volute Case O-ring (2-pack)	305463004	Nitrile
200	Motor		See Motor Section
Not Shown	Pipe Plug (4-pack)	305463009	CAD-plated steel
530A	Motor Bracket Hex Cap Screw	305463030	Zinc-plated steel
530B	Volute Case Hex Cap Screw	305463030	Zinc-plated steel

\* Max O.D. impeller supplied with repair kits. Impeller must be trimmed and rebalanced to match motor hp. Consult catalog for specific trim sizes and performance.

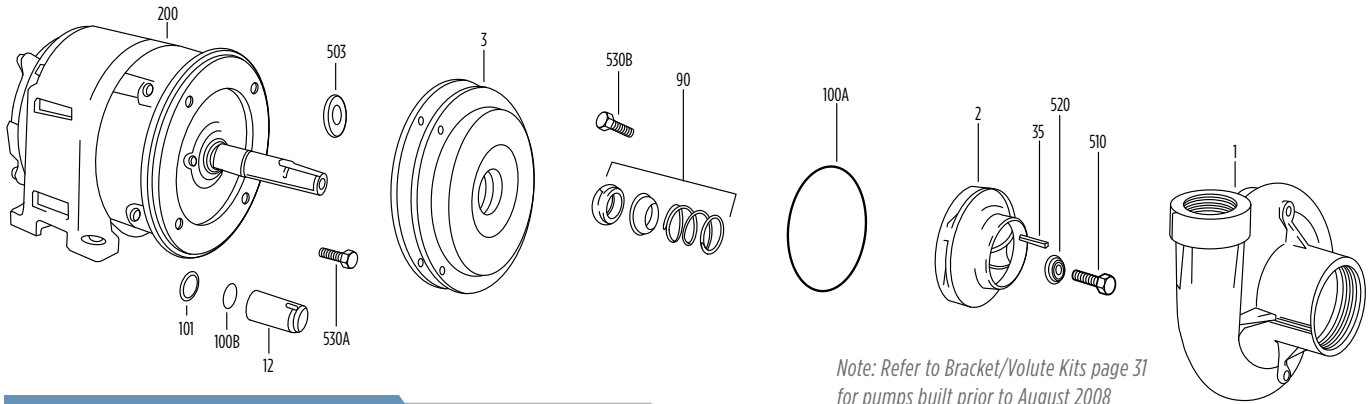
### REPLACEMENT MOTORS

DB1

HP	PH	ODP Enclosure	
		Frame	Order No.
0.75	1	56C	106026008
0.75	3		106023019
1	1		106026009
1	3		106023020
1.5	1		106026010
1.5	3		106023021
2	1		106026011
2	3		106023022
3	1		90112897R000
3	3		106023023

# CENTRIFUGAL PUMPS

## CLOSE-COUPLED D-SERIES



Note: Refer to Bracket/Volute Kits page 31 for pumps built prior to August 2008

### MATERIALS AND PARTS

DB1 (4.5 AK)

Fig. No.	Part Description	Repair No.	Materials
1	Volute Case (NPT) w/plugs	305447001	Cast iron, ASTM-A48 CL30
2	3 hp Impeller Trim 6.13" (.875 bore)	305447010	Silicon brass, ASTM B584
2	5 hp Impeller Trim 6.44" (.875 bore)	305447011	-
3	Motor Bracket	305447014	Cast iron, ASTM-A48 CL30
12	Shaft Sleeve	305447015	416 stainless steel
35	Impeller Shaft Key	305463001	301 stainless steel
90	Mechanical Shaft Seal	305463002	Carbon/ceramic/nitrile/316 stainless steel
100A	Volute Case O-Ring (2-pack)	305463004	Nitrile
100B	Sleeve O-Ring (2-pack)	305463200	Nitrile
101	Sleeve Seal	305447016	Nitrile
200	Motor - see MOTOR section		See Motor Section
Not Shown	Pipe Plug (4-pack)	305463009	CAD-plated steel
Not Shown	Water Slinger	305447008	Neoprene
510	Impeller Hex Cap Screw	305463201	316 stainless steel-grade 5
520	Impeller Washer	305447009	300-series stainless steel
530A	Motor Bracket Hex Cap Screw (12-pack)	305463010	Zinc-plated steel
530B	Volute Case Hex Cap Screw (4-pack)	305463202	Zinc-plated steel

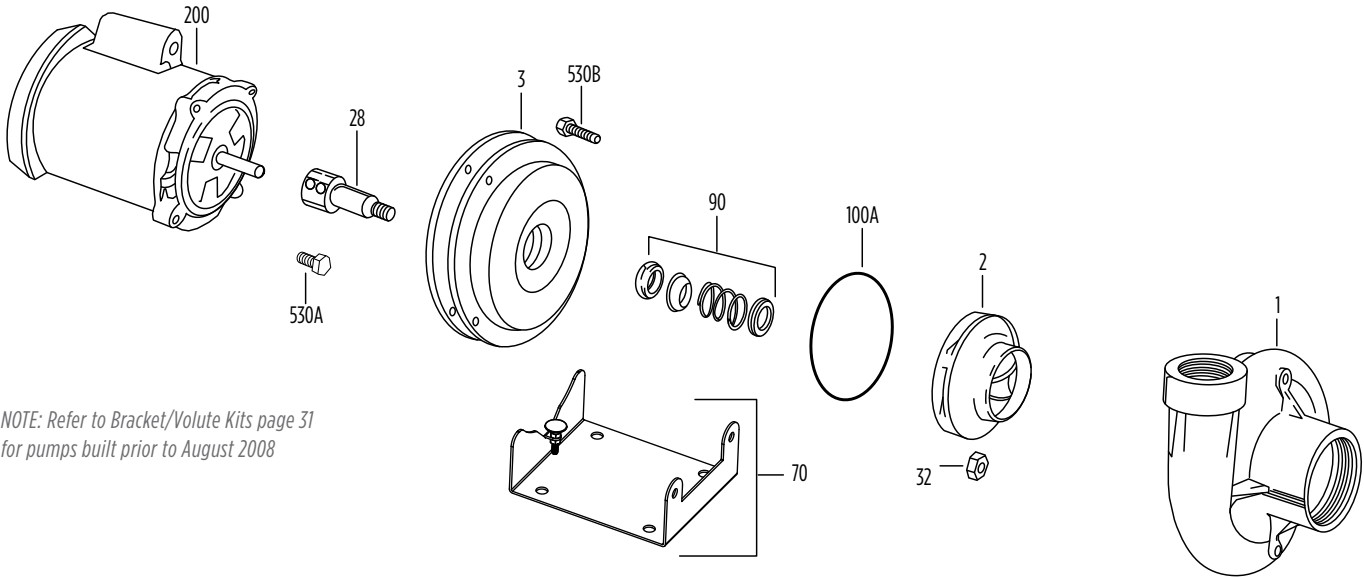
### REPLACEMENT MOTORS

DB1 (4.5 AK)

HP	PH	ODP Enclosure		TEFC Enclosure	
		Frame	Order No.	Frame	Order No.
3	1	145JM	106026013	145JM	104220000
3	3		106023024		104220001
5	1	182JM	106026014	184JM	104220002
5	3		106023025		104220003

# CENTRIFUGAL PUMPS

## CLOSE-COUPLED D-SERIES



NOTE: Refer to Bracket/Volute Kits page 31 for pumps built prior to August 2008

### MATERIALS AND PARTS

DB1-1/2

Fig. No.	Part Description	Repair No.	Materials
1	Volute Case (NPT) w/plugs	305448001	Cast iron, ASTM-A48 CL30
2	1 hp Impeller Trim 3.94" (9/16-18 Thd)	305448021	Silicon brass, ASTM B584
2	1-1/2 hp Impeller Trim 4.31" (9/16-18 Thd)	305448022	Silicon brass, ASTM B584
2	2 hp Impeller Trim 4.59" (9/16-18 Thd)	305448023	Silicon brass, ASTM B584
2	3 hp Impeller Trim 5.12" (9/16-18 Thd)	305448024	Silicon brass, ASTM B584
2	1800 rpm Pump End Kits Impeller Trim 6.44" max. (9/16-18 Thd)*	305447025	Silicon brass, ASTM B584
3	Motor Bracket	305447021	416 stainless Steel
28	Coupling (includes set screws)	305447022	DDA 360 brass or 304 stainless steel
32	Impeller Jam Nut	305447023	18-8 stainless steel
70	Base Assembly	305447024	Various
90	Mechanical Shaft Seal	305463203	Carbon/ceramic/nitrile/316 stainless steel
100A	Volute Case O-ring (2-pack)	305463004	Nitrile
200	Motor		See Motor Section
Not Shown	Pipe Plug (4-pack)	305463009	CAD-plated steel
530A	Motor Bracket Hex Cap Screw (4-Pack)	305463030	Zinc-plated steel
530B	Volute Case Hex Cap Screw (4-Pack)	305463030	Zinc-plated steel

\* Max O.D. impeller supplied with repair kits. Impeller must be trimmed and rebalanced to match motor hp. Consult catalog for specific trim sizes and performance.

### REPLACEMENT MOTORS

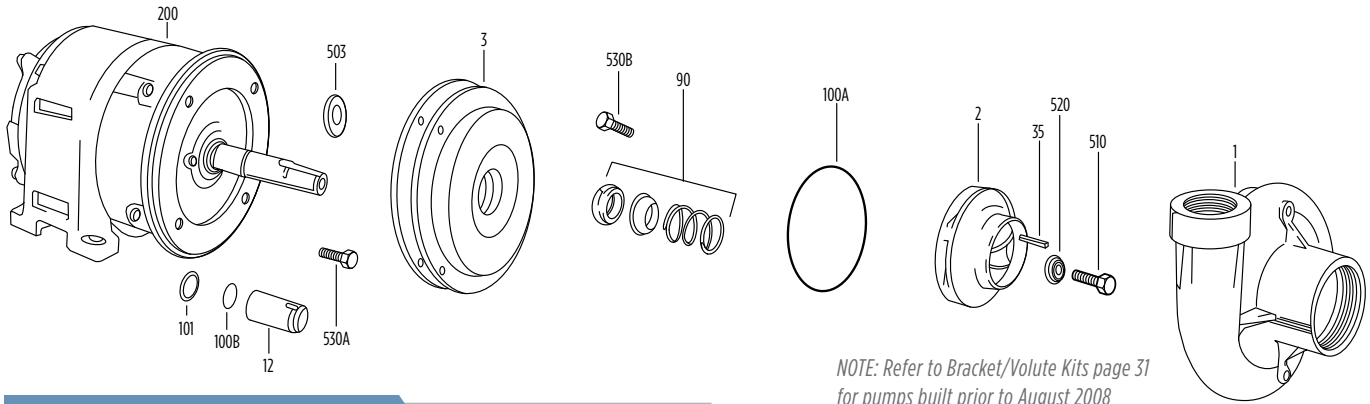
DB1-1/2

HP	PH	ODP Enclosure	
		Frame	Order No.
1	1	56C	106026009
1	3		106023020
1.5	1		106026010
1.5	3		106023021
2	1		106026011
2	3		106023022
3	1		90112897R000
3	3		106023023



# CENTRIFUGAL PUMPS

## CLOSE-COUPLED D-SERIES



NOTE: Refer to Bracket/Volute Kits page 31 for pumps built prior to August 2008

### MATERIALS AND PARTS

DB1-1/2 (4.5 AK)

Fig. No.	Part Description	Repair No.	Materials
1	Volute Case (NPT) w/plugs	305448001	Cast iron, ASTM-A48 CL30
2	3 hp Impeller Trim 5.12" (.875 bore)	305448015	Silicon brass, ASTM B584
2	5 hp Impeller Trim 5.75" (.875 bore)	305448016	Silicon brass, ASTM B584
2	7-1/2 hp Impeller Trim 6.44" (1.250 bore)	305448017	Silicon brass, ASTM B584
3	Motor Bracket	305447014	Cast iron, ASTM-A48 CL30
12	Shaft Sleeve	305447015	416 stainless steel
35	Impeller Shaft Key	305463001	301 stainless steel
90	Mechanical Shaft Seal	305463002	Carbon/ceramic/nitrile/316 stainless steel
100A	Volute Case O-Ring (2-pack)	305463004	Nitrile
100B	Sleeve O-Ring (2-pack)	305463200	Nitrile
101	Sleeve Seal	305447016	Nitrile
200	Motor		See Motor Section
Not Shown	Pipe Plug (4-pack)	305463009	CAD-plated steel
Not Shown	Water Slinger	305447008	Neoprene
510	Impeller Hex Cap Screw	305463201	316 stainless steel-grade 5
520	Impeller Washer	305447009	300-series stainless steel
530A	Motor Bracket Hex Cap Screw (4-pack)	305463202	Zinc-plated steel
530B	Volute Case Hex Cap Screw (12-pack)	305463010	Zinc-plated steel

### REPLACEMENT MOTORS

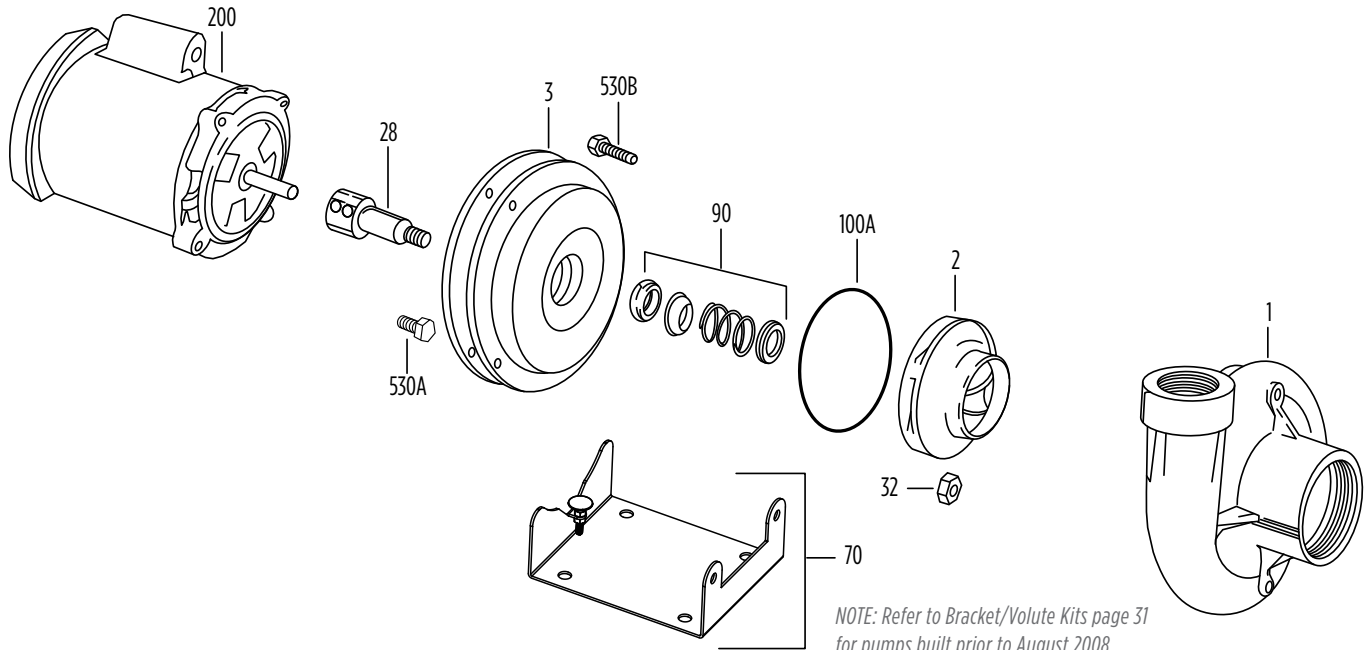
DB1-1/2 (4.5 AK)

HP	PH	ODP Enclosure		TEFC Enclosure	
		Frame	Order No.	Frame	Order No.
3	1	145JM	106026013	145JM	104220000
3	3		106023024		104220001
5	1		106026014		104220002
5	3	182JM	106023025	184JM	104220003
7.5	1	184JM	106026016	213JM	*104220004
7.5	3		106023026	184JM	104220005

NOTE: TEFC 7.5hp 1ph is an 8.5AK fit

# CENTRIFUGAL PUMPS

## CLOSE-COUPLED D-SERIES



### MATERIALS AND PARTS

DB2

Fig. No.	Part Description	Repair No.	Materials
1	Volute Case 3hp-10hp (NPT) w/plugs	305450001	Cast iron, ASTM-A48 CL30
2	1.5 hp Impeller Trim 3.81" (9/16-18 Thd)	305450017	Silicon brass, ASTM B584
2	2 hp Impeller Trim 4.00" (9/16-18 Thd)	305450018	Silicon brass, ASTM B584
2	3 hp Impeller Trim 4.50" (9/16-18 Thd)	305450024	Silicon brass, ASTM B584
2	1800 rpm Pump End Kits Impeller Trim 6.44" max. (9/16-18 Thd)*	305450026	Silicon brass, ASTM B584
2	1800 rpm Pump End Kits Impeller Trim 6.44" max. (.875 Bore)*	305450027	Silicon brass, ASTM B584
3	Motor Bracket	305447021	Cast iron, ASTM-A48 CL30
28	Coupling (includes set screws)	305447022	416 stainless steel
32	Impeller Jam Nut	305447023	301 stainless steel
70	Base Assembly	305447024	316 stainless steel
90	Mechanical Shaft Seal	305463203	Carbon/ceramic/nitrile/316 stainless steel
100A	Volute Case O-Ring (2-pack)	305463004	Nitrile
200	Motor - see MOTOR section		See Motor Section
Not Shown	Pipe Plug (4-pack)	305463009	CAD-plated steel
Not Shown	Motor Bracket Hex Cap Screw	305463030	Zinc-plated steel
530B	Volute Case Hex Cap Screw (4-pack)	305463030	Zinc-plated steel

\* Max O.D. impeller supplied with repair kits. Impeller must be trimmed and rebalanced to match motor hp. Consult catalog for specific trim sizes and performance.

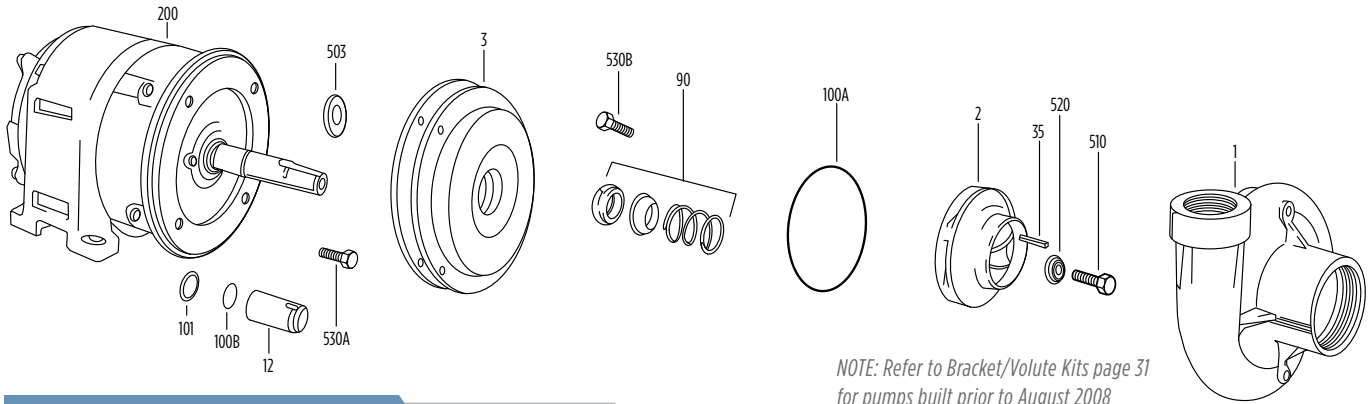
### REPLACEMENT MOTORS

DB2

HP	PH	ODP Enclosure	
		Frame	Order No.
1.5	1	56C	106026010
1.5	3		106023021
2	1		106026011
2	3		106023022
3	1		90112897R000
3	3		106023023

# CENTRIFUGAL PUMPS

## CLOSE-COUPLED D-SERIES



NOTE: Refer to Bracket/Volute Kits page 31 for pumps built prior to August 2008

### MATERIALS AND PARTS

DB2/DC2

Fig. No.	Part Description	Repair No.		Materials of Construction
		4.5AK* (3-7.5 hp)	8.5AK* (10-20 hp)	
1	Volute Case 3-10 hp (NPT) w/plugs		305450001	Cast iron, ASTM-A48 CL30
1	Volute Case 15-20 hp (NPT) w/plugs	N/A	305450002	Cast iron, ASTM-A48 CL30
2	3 hp Impeller Trim 4.50" (.875 bore)	305450008	N/A	Silicon brass, ASTM B584
2	5 hp Impeller Trim 5.13" (.875 bore)	305450009	N/A	Silicon brass, ASTM B584
2	7-1/2 hp Impeller Trim 5.81" (.875 bore)	305450010	N/A	Silicon brass, ASTM B584
2	10 hp Impeller Trim 6.44" (.875 bore)	N/A	305450019	Silicon brass, ASTM B584
2	15 hp Impeller Trim 7.25" (.875 bore)	N/A	305450020	Silicon brass, ASTM B584
2	20 hp Impeller Trim 7.94" (1.250 bore)	N/A	305450014	Silicon brass, ASTM B584
3	Motor Bracket	305447014	N/A	Cast iron, ASTM-A48 CL30
3	Motor Bracket 10 hp	N/A	305450021	Cast iron, ASTM-A48 CL30
3	Motor Bracket 15 hp	N/A	305449017	Cast iron, ASTM-A48 CL30
3	Motor Bracket 20 hp	N/A	305450025	Cast iron, ASTM-A48 CL30
12	Shaft Sleeve 3-15 hp		305447015	416 stainless steel
12	Shaft Sleeve 20hp	N/A	305450022	416 stainless steel
35	Impeller Shaft Key 3-15 hp		305463001	301 stainless steel
35	Impeller Shaft Key 20 hp	N/A	305450006	316 stainless steel
90	Mechanical Shaft Seal 3-15 hp		305463002	Carbon/ceramic/nitrile/316 stainless steel
90	Mechanical Shaft Seal 20hp	N/A	305463204	Carbon/ceramic/nitrile/316 stainless steel
100A	Volute Case O-ring 3-10 hp (2-pack)		305463004	Nitrile
100A	Volute Case O-ring 15-20 hp (2-pack)	N/A	305463018	Nitrile
100B	Sleeve O-ring 3-15 hp (2-pack)		305463200	Nitrile
100B	Sleeve O-ring 20 hp (2-pack)	N/A	305463205	Nitrile
101	Sleeve Seal 3-15 hp		305447016	Nitrile
101	Sleeve Seal 2.0hp	N/A	305463206	Nitrile
200	Motor			See Motor Section
Not Shown	Pipe Plug (4-pack)		305463009	CAD-plated steel
503	Water Slinger	305450007	305447008	Neoprene
510	Impeller Hex Cap Screw		305463201	316 stainless steel-grade 5
510	Impeller Hex Cap Screw 15-20 hp	N/A	305463185	316 stainless steel-grade 5
520	Impeller Washer		305447009	300-series stainless steel
520	Impeller Washer 15-20 hp	N/A	305450015	300-series stainless steel
530A	Motor Bracket Hex Cap Screw 3-15 hp (12-pack)	305463010	305463026	Zinc-plated steel
530A	Motor Bracket Hex Cap Screw 20 hp (4-pack)	N/A	305463207	Zinc-plated steel
530B	Volute Case Hex Cap Screw (4-pack)	305463202	305463030	Zinc-plated steel
530B	Volute Case Hex Cap Screw 15 hp (4-pack)	N/A	305463064	Zinc-plated steel

### REPLACEMENT MOTORS

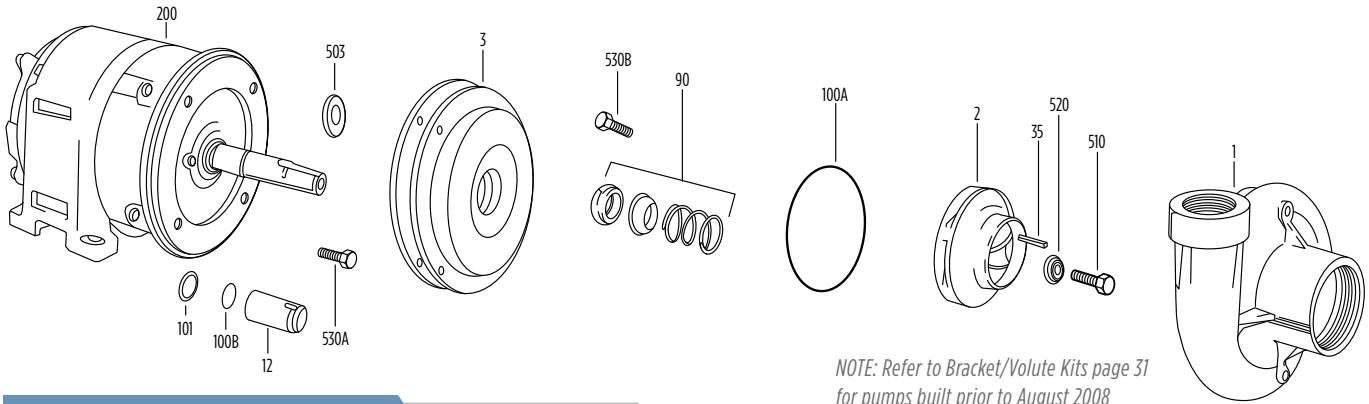
DB2/DC2

HP	PH	ODP Enclosure		TEFC Enclosure	
		Frame	Order No.	Frame	Order No.
3	1		106026013	145JM	104220000
3	3	145JM	106023024		104220001
5	1		106026014	184JM	104220002
5	3	182JM	106023025		104220003
7.5	1		106026016	213JM	*104220004
7.5	3	184JM	106023026	184JM	104220005
10	1		106026017	215JM	104220006
10	3	213JM	106023027		104220007
15	3	215JM	106023028		104220008
20	3	254JM	106023029	254JM	104220009

NOTE: TEFC 7.5 hp 1-ph is an 8.5AK fit

# CENTRIFUGAL PUMPS

## CLOSE-COUPLED D-SERIES



NOTE: Refer to Bracket/Volute Kits page 31 for pumps built prior to August 2008

### MATERIALS AND PARTS

DBC1-1/2

Fig. No.	Part Description	Repair No.		Materials
		4.5AK* (3-7.5 hp)	8.5AK* (10-15 hp)	
1	Volute Case (NPT) w/plugs	305449001		Cast iron, ASTM-A48 CL30
2	3 hp Impeller Trim 5.06" (.875 bore)	305449007	N/A	Silicon brass, ASTM B584
2	5 hp Impeller Trim 5.81" (.875 bore)	305449008	N/A	Silicon brass, ASTM B584
2	7-1/2 hp Impeller Trim 6.63" (.875 bore)	305449009	N/A	Silicon brass, ASTM B584
2	10 hp Impeller Trim 7.31" (1.250 bore)	N/A	305449014	Silicon brass, ASTM B584
2	15 hp Impeller Trim 8.38" (.875 bore)	N/A	305449015	Silicon brass, ASTM B584
3	Motor Bracket	305449016	305449017	Cast iron, ASTM-A48 CL30
12	Shaft Sleeve	305447015		416 stainless steel
35	Impeller Shaft Key	305463001		301 stainless steel
90	Mechanical Shaft Seal	305463002		Carbon/ceramic/nitrile/316 stainless steel
100A	Volute Case O-ring (2-pack)	305463018		Nitrile
100B	Sleeve O-ring (2-pack)	305463200		Nitrile
101	Sleeve Seal	305447016		Nitrile
200	Motor	See Motor Section		
Not Shown	Pipe Plug (4-pack)	305463009		CAD-plated steel
503	Water Slinger	305447008		Neoprene
510	Impeller Hex Cap Screw	305463201		316 stainless steel-grade 5
520	Impeller Washer	305447009		300-series stainless steel
530A	Motor Bracket Hex Cap Screw (12-pack)	305463010	305463026	Zinc-plated steel
530B	Volute Case Hex Cap Screw (12-pack)	305463010		Zinc-plated steel

### REPLACEMENT MOTORS

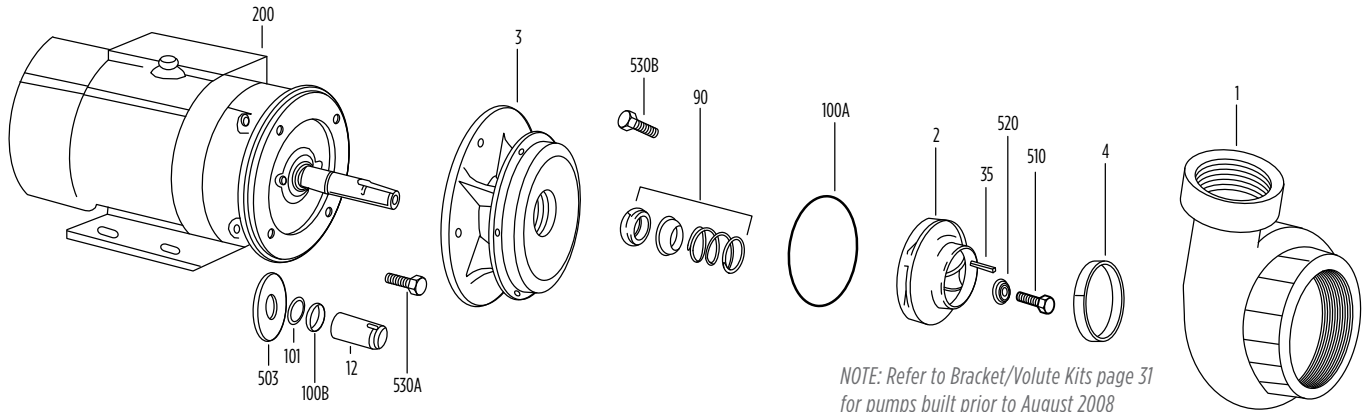
DBC1-1/2

HP	PH	ODP Enclosure		TEFC Enclosure	
		Frame	Order No.	Frame	Order No.
3	1	145JM	106026013	145JM	104220000
3	3		106023024		104220001
5	1	184JM	106026015	184JM	104220002
5	3	182JM	106023025		104220003
7.5	1	184JM	106026016	213JM	*104220004
7.5	3		106023026	184JM	104220005
10	1	215JM	106026017	215JM	104220006
10	3	213JM	106023027		104220007
15	3	215JM	106023028		104220008

NOTE: TEFC 7.5 hp 1-ph is an 8.5AK fit

# CENTRIFUGAL PUMPS

## CLOSE-COUPLED D-SERIES



NOTE: Refer to Bracket/Volute Kits page 31 for pumps built prior to August 2008

### MATERIALS AND PARTS

DB3

Fig. No.	Part Description	Repair No.		Materials
		4.5AK* (3-7.5 hp)	8.5AK* (10-20 hp)	
1	Volute Case 5hp-20 hp (NPT) w/plugs	305451001		Cast iron, ASTM-A48 CL30
2	5 hp Impeller Trim 4.50" (.875 bore)	305451004	N/A	Cast iron, ASTM-A48 CL30
2	7-1/2 hp Impeller Trim 4.94" (.875 bore)	305451005	N/A	Cast iron, ASTM-A48 CL30
2	10 hp Impeller Trim 5.31" (.875 bore)	N/A	305451010	Cast iron, ASTM-A48 CL30
2	15 hp Impeller Trim 5.75" (.875 bore)	N/A	305451011	Cast iron, ASTM-A48 CL30
2	20 hp Impeller Trim 6.00" (1.250 bore)	N/A	305451009	Cast iron, ASTM-A48 CL30
3	Motor Bracket 5-15 hp	305447014	305450021	Cast iron, ASTM-A48 CL30
3	Motor Bracket 20 hp	N/A	305451012	Cast iron, ASTM-A48 CL30
4	Wear Ring (Suction)	305451002		SAE 660 bronze
12	Shaft Sleeve	305447015		416 stainless steel
12	Shaft Sleeve 20 hp	N/A	305451013	416 stainless steel
35	Impeller Shaft Key	305463001		301 stainless steel
35	Impeller Shaft Key 20 hp	N/A	305450006	301 stainless steel
90	Mechanical Shaft Seal	305463002		Carbon/ceramic/nitrile/316 stainless steel
90	Mechanical Shaft Seal 20 hp	N/A	305463204	Carbon/ceramic/nitrile/316 stainless steel
100A	Volute Case O-ring (2-pack)	305463004		Nitrile
100B	Sleeve O-ring (2-pack)	305463200		Nitrile
100B	Sleeve O-ring (2-pack)	N/A	305463205	Nitrile
101	Sleeve Seal	305447016		Nitrile
101	Sleeve Seal 20 hp	N/A	305463206	Nitrile
200	Motor - see MOTOR section			See Motor Section
Not Shown	Pipe Plug (4-pack)	305463020		CAD-plated steel
503	Water Slinger	305450007		Neoprene
503	Water Slinger 20 hp	N/A	305447008	Neoprene
510	Impeller Hex Cap Screw	305463201		316 stainless steel-grade 5
510	Impeller Hex Cap Screw 20 hp	N/A	305463019	316 stainless steel-grade 5
520	Impeller Washer	305447009		300-series stainless steel
520	Impeller Washer 20 hp	N/A	305450015	300-series stainless steel
530A	Motor Bracket Hex Cap Screw	305463202	305463026	Zinc-plated steel
530A	Motor Bracket Hex Cap Screw	N/A	305463207	Zinc-plated steel
530B	Volute Case Hex Cap Screw (4-pack)	305463010		Zinc-plated steel

### REPLACEMENT MOTORS

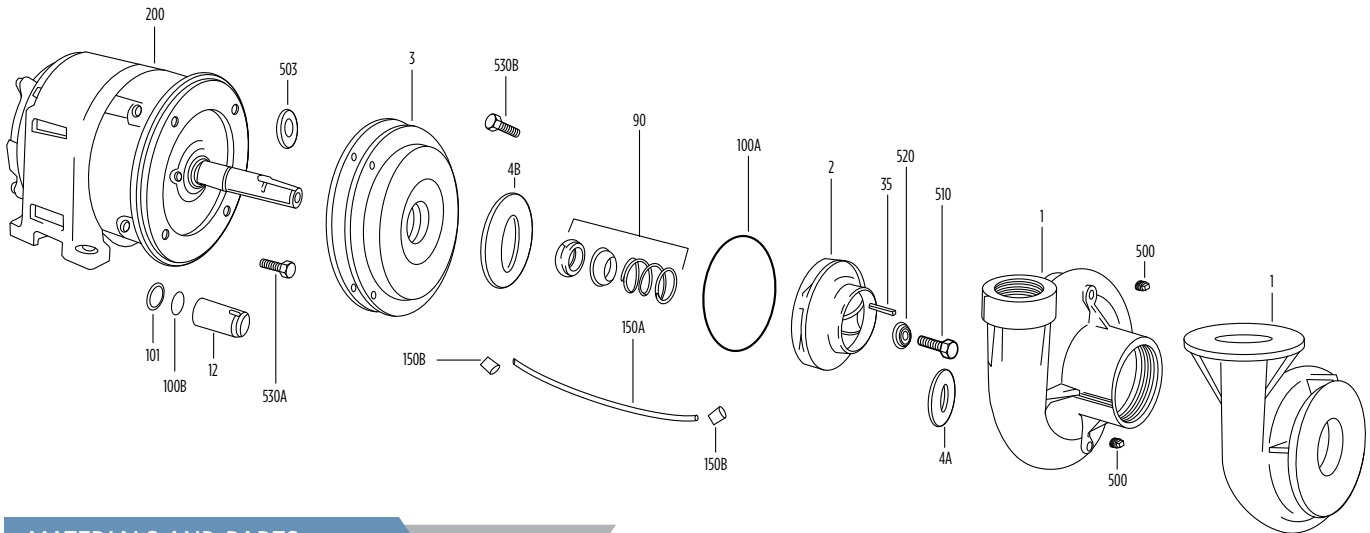
DB3

HP	PH	ODP Enclosure		TEFC Enclosure	
		Frame	Order No.	Frame	Order No.
5	1	145JM	106026014	184JM	104220002
5	3	182JM	106023025		104220003
7.5	1	184JM	106026016	213JM	*104220004
7.5	3		106023026	184JM	104220005
10	1	215JM	106026017		104220006
10	3	213JM	106023027	215JM	104220007
15	3	215JM	106023028		104220008
20	3	254JM	106023029	254JM	104220009

NOTE: TEFC 7.5 hp 1-ph is an 8.5AK fit

# CENTRIFUGAL PUMPS

## CLOSE-COUPLED D-SERIES



### MATERIALS AND PARTS

DC4

Fig. No.	Part Description	Repair No.		Materials of Construction
		8.5AK* (20-25 HP)	12.5AK* (30-50 HP)	
1	Volute Case 20-30 hp (NPT)	305452001		Cast iron, ASTM-A48 CL30
1	Volute Case 40-50 hp (Flanged)	305452002		Cast iron, ASTM-A48 CL30
2	20 hp Impeller Trim 7.03"	305452014	N/A	Cast iron, ASTM-A48 CL30
2	25 hp Impeller Trim 7.47"	305452015	N/A	Cast iron, ASTM-A48 CL30
2	30 hp Impeller Trim 7.88"	N/A	305452016	Cast iron, ASTM-A48 CL30
2	40 hp Impeller Trim 8.44"	N/A	305452017	Cast iron, ASTM-A48 CL30
2	50 hp Impeller Trim 9.03"	N/A	305452018	Cast iron, ASTM-A48 CL30
3	Motor Bracket	305452021	305452022	Cast iron, ASTM-A48 CL30
4A/B	Wear Ring (Suction/Hub)	305452005		SAE 660 bronze
12	Shaft Sleeve	305452009		416 stainless steel
35	Impeller Shaft Key	305450006		316 stainless steel
90	Mechanical Shaft Seal	305463204		Carbon/ceramic/nitrile/316 stainless steel
100A	Volute Case Square-Ring (2-pack)	305463021		Nitrile
100B	Sleeve O-ring (2-pack)	305463205		Nitrile
101	Sleeve Seal	305463206		Nitrile
150A	Tubing, Balance	305463022		Polypropylene
150B	Hose Connector (2-pack)	305463023		Bronze
200	Motor	See Motor Section		
500	Pipe Plug (4-pack)	305463020		CAD-plated steel
503	Water Slinger	305447008		Neoprene
510	Impeller Hex Cap Screw	305463019		316 stainless steel-grade 5
520	Impeller Washer	305450015		300-series stainless steel
530A	Motor Bracket Hex Cap Screw (12-pack)	305463026	305463208	Zinc-plated steel
530B	Volute Case Hex Cap Screw (12 pack)	305463026		Zinc-plated steel

### REPLACEMENT MOTORS

DC4

HP	PH	ODP Enclosure		TEFC Enclosure	
		Frame	Order No.	Frame	Order No.
20	3	254JM	106023029	254JM	104220009
25		256JM	106023030	256JM	104220010
30		284JM	106023031	284JM	104220011
40		286JM	106023032	286JM	104220012
50		324JM	106023033	324JM	104220013

# CENTRIFUGAL PUMPS

## CLOSE-COUPLED D-SERIES



### CROSS-REFERENCE

### NEW BRACKET/VOLUTE KITS

Series	AK	HP	Frame Size	Old Bracket No.	Old Volute No.	New Bracket Volute Kit No.		
DB1 (56C)	4.5	3/4 - 3	56C	177736901	03076403	305429901		
DB1-1/2 (56C)		1 - 3			03076700	305429903		
DB2 (56C)		3 - 5			03076601	305429907		
DB1		3 - 5	145JM/182JM/184JM	177735901	03076403	305429902		
DB1-1/2		3 - 7.5			03076700	305429904		
DB2		3 - 7.5			03076601	305429908		
DB3		5 - 7.5			03084001	305429912		
DC1-1/2		3 - 7.5			145JM/182JM/184JM	177741901	03076502	305429905
DC1-1/2		10 - 15			213JM/215JM	177739901	03076502	305429906
DB2		15					03076205	305429910
DB2	10	213JM/215JM	177737901	03076601	305429909			
DB3	10 - 15			03084001	305429913			
DB2	20	254JM	177740901	03076205	305429911			
DB3	20	254JM	177738901	03084001	305429914			

*NOTE: Pumps built prior to August 2008. If replacement is required for the bracket or volute, the new bracket/volute kit must be ordered. All of the other components of the pump are interchangeable. Old bracket and volute models cannot be mixed with the newly designed bracket and volute (with the exception of the DATA/B and the DC4 Series). All of the new volutes have the FE logo cast in them. The newly designed components will be phased in as the inventory of the current design is depleted.*



**Franklin Electric**